

# CABINET FOR FIRE HOSE REEL, FIRE EQUIPMENT AND BREECHING INLET

## CABINETS

### PRODUCT DESCRIPTION

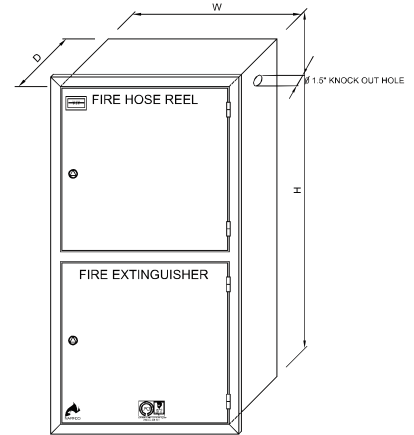
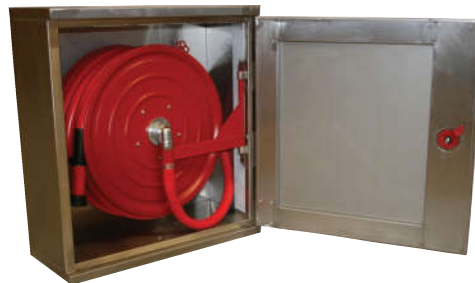
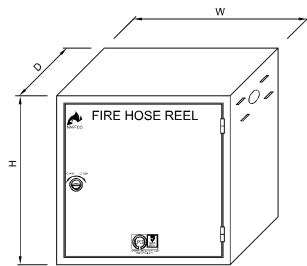
NAFFCO cabinets are designed to accommodate fire hose reel, fire fighting equipment and breaching inlet. Fire hose reel cabinets are manufactured to comply with BSEN 671-1 standard and breaching inlet cabinets are manufactured to comply to BS 5041-5 standard.

### FEATURES

- Kitemark & LPCB approved for different sizes of cabinets
- Cabinet material made of Electro Galvanized sheet or Stainless Steel Sheet (Full stainless steel brush or mirror finish).
- Locking of cabinet is either key operated or round handle cam latch.
- Cabinets are available either in surface mounted or recessed mounted type.
- Cabinet door shall be solid door.
- Breaching inlet cabinets are available in horizontal or vertical version.



CERTIFICATE NO:463  
(Ref redbooklive.com)



### SPECIFICATIONS

Sl. No.	Model Number	Description	Dimension in mm (H x W x D)
1	NF SM 300	Single cabinet, surface mounted, mild steel, solid door	850 x 750 x 300
2	NF RM 300	Single cabinet, recessed mounted, mild steel, solid door	800 x 750 x 300
3	NF SSB 300	Single cabinet, surface mounted, brush finish stainless steel, solid door	850 x 750 x 310
4	NF SSM 300	Single cabinet, surface mounted, mirror finish stainless steel, solid door	850 x 750 x 310
5	NF RSB 300	Single cabinet, recessed mounted, brush finish stainless steel, solid door	800 x 750 x 300
6	NF RSM 300	Single cabinet, recessed mounted, mirror finish stainless steel, solid door	800 x 750 x 300
7	NF SMK 300	Single cabinet, surface mounted, mild steel, solid door, break glass & key	850 x 750 x 300
8	NF RMK 300	Single cabinet, recessed mounted, mild steel, solid door, break glass & key	800 x 750 x 300
9	NF SSBK 300	Single cabinet, surface mounted, brush finish stainless steel, solid door, break glass & key	850 x 750 x 310

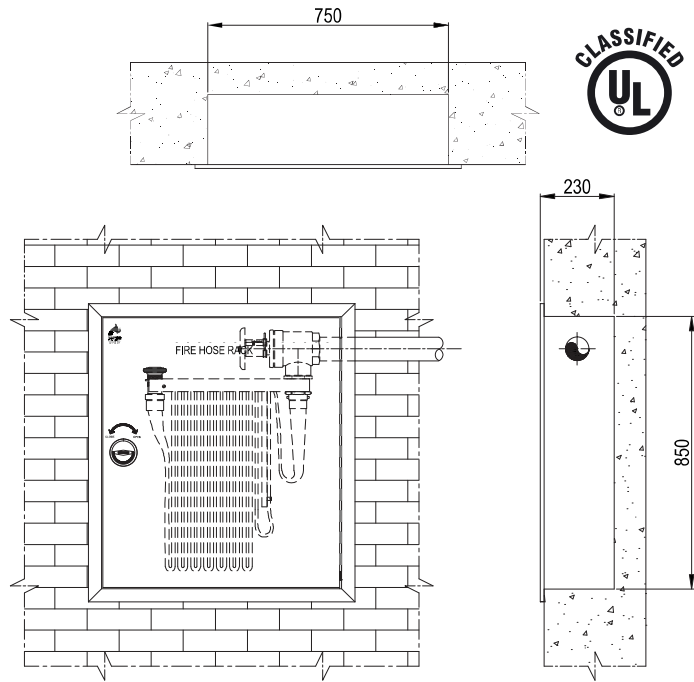
Sl. No.	Model Number	Description	Dimension in mm (H x W x D)
10	NF SSMK 300	Single cabinet, surface mounted, mirror finish stainless steel, solid door, break glass & key	850 x 750 x 310
11	NF RSBK 300	Single cabinet, recessed mounted, brush finish stainless steel, solid door, break glass & key	800 x 750 x 300
12	NF RSMK 300	Single cabinet, recessed mounted, mirror finish stainless steel, solid door, break glass & key	800 x 750 x 300
13	NF SM 900	Double vertical cabinet, surface mounted, mild steel, solid door	1650 x 800 x 300
14	NF RM 900	Double vertical cabinet, recessed type, mild steel, solid door	1600 x 800 x 300
15	NF SSB 900	Double vertical cabinet, surface mounted, brush finish stainless steel, solid door	1650 x 800 x 310
16	NF SSM 900	Double vertical cabinet, surface mounted, mirror finish stainless steel, solid door	1650 x 800 x 310
17	NF RSB 900	Double vertical cabinet, recessed mounted, brush finish stainless steel, solid door	1600 x 800 x 300
18	NF RSM 900	Double vertical cabinet, recessed mounted, mirror finish stainless steel, solid door	1600 x 800 x 300
19	NF SMK 900	Double vertical cabinet, surface mounted, mild steel, solid door, break glass & key	1650 x 800 x 300
20	NF RMK 900	Double vertical cabinet, recessed mounted, mild steel, solid door, break glass & key	1600 x 800 x 300
21	NF SSBK 900	Double vertical cabinet, surface mounted, brush finish stainless steel, solid door, break glass & key	1650 x 800 x 310
22	NF SSMK 900	Double vertical cabinet, surface mounted, mirror finish stainless steel, solid door, break glass & key	1650 x 800 x 310
23	NF RSBK 900	Double vertical cabinet, recessed mounted, brush finish stainless steel, solid door, break glass & key	1600 x 800 x 300
24	NF RSMK 900	Double vertical cabinet, recessed mounted, mirror finish stainless steel, solid door, break glass & key	1600 x 800 x 300
25	NF SMP 300	Single cabinet, surface mounted, mild steel, solid door, piano hinge	850 x 750 x 300
26	NF RMP 300	Single cabinet, recessed mounted, mild steel, solid door, piano hinge	800 x 750 x 300
27	NF SMPK 300	Single cabinet, surface mounted, mild steel, solid door, piano hinge, break glass & key	850 x 750 x 300
28	NF RMPK 300	Single cabinet, recessed mounted, mild steel, solid door, piano hinge, break glass & key	800 x 750 x 300
29	NF SMGK 900	Double vertical cabinet, surface mounted, mild steel, glass door, break glass & key	1650 x 800 x 300
30	NF RMGK 900	Double vertical cabinet, recessed mounted, mild steel, glass door, break glass & key	1600 x 800 x 300
31	NF SSBGK 900	Double vertical cabinet, surface mounted, brush finish stainless steel, glass door, break glass & key	1650 x 800 x 310
32	NF SSMGK 900	Double vertical cabinet, surface mounted, mirror finish stainless steel, glass door, break glass & key	1650 x 800 x 310
33	NF RSBGK 900	Double vertical cabinet, recessed mounted, brush finish stainless steel, glass door, break glass & key	1600 x 800 x 300
34	NF RSMGK 900	Double vertical cabinet, recessed mounted, mirror finish stainless steel, glass door, break glass & key	1600 x 800 x 300
35	NF SMP 900	Double vertical cabinet, surface mounted, mild steel, solid door, piano hinge	1650 x 800 x 300
36	NF RMP 900	Double vertical cabinet, recessed mounted, mild steel, solid door, piano hinge	1600 x 800 x 300
37	NF SMG 900	Double vertical cabinet, surface mounted, mild steel, glass door	1650 x 800 x 300
38	NF RMG 900	Double vertical cabinet, recessed type, mild steel, glass door	1600 x 800 x 300
39	NF SSBG 900	Double vertical cabinet, surface mounted, brush finish stainless steel, glass door	1650 x 800 x 310
40	NF SSMG 900	Double vertical cabinet, surface mounted, mirror finish stainless steel, glass door	1650 x 800 x 310
41	NF RSBG 900	Double vertical cabinet, recessed mounted, brush finish stainless steel, glass door, piano hinge	1600 x 800 x 300
42	NF RSMG 900	Double vertical cabinet, recessed mounted, mirror finish stainless steel, glass door, piano hinge	1600 x 800 x 300
43	NF SMPK 900	Double vertical cabinet, surface mounted, mild steel, solid door, piano hinge, break glass & key	1650 x 800 x 300
44	NF RMPK 900	Double vertical cabinet, recessed mounted, mild steel, solid door, piano hinge, break glass & key	1600 x 800 x 300
45	NF SMGP 900	Double vertical cabinet, surface mounted, mild steel, glass door, piano hinge	1650 x 800 x 300
46	NF RMGP 900	Double vertical cabinet, recessed mounted, mild steel, glass door, piano hinge	1600 x 800 x 300
47	NF SMGPK 900	Double vertical cabinet, surface mounted, mild steel, glass door, piano hinge, break glass & key	1650 x 800 x 300
48	NF RMGPK 900	Double vertical cabinet, recessed mounted, mild steel, glass door, piano hinge, break glass & key	1600 x 800 x 300

## BOXES FOR DRY RISER INLETS



Sl. No.	Model Number	Description	Dimension in mm (H x W x D)
1	NF-2WDRIC-SM	4" X 2 Way Box For Dry Riser Inlets, Surface Mounted, Horizontal	595x395x295
2	NF-4WDRIC-SM	6" X 4 Way Box For Dry Riser Inlets, Surface Mounted, Horizontal	595x595x295
3	NF-2WDRIC-SMA	4" X 2 Way Box For Dry Riser Inlets, Surface Mounted, Vertical	395x595x295
4	NF-2WDRIC-RT	4" X 2 Way Box For Dry Riser Inlets, Recessed Type	595x395x295
5	NF-4WDRIC-RT	6" X 4 Way Box For Dry Riser Inlets, Recessed Type	595x595x295
6	NF-2WDRIC-RTA	4" X 2 Way Box For Dry Riser Inlets, Recessed Type	395x595x295

# FIRE HOSE RACK CABINET



## SPECIFICATIONS

SL. NO.	CABINET MODEL	CABINET SIZE	CABINET TYPE	CABINET MATERIAL	CABINET FINISH	HOSE RACK MODEL	HOSE RACK SELECTION		
							PART No.	FRAME FINISH	VALVE COMBINATION
1	NHRC 38-A/ES	750x700x200	Surface Mounted	Min. 1.2mm EG Steel Sheet	Epoxy Powder Coated	NHR 38V	HR 38XA	SS 304 - RAL 3000	1.5" Angle Hose Valve Double Female NPT (SD-AV)
							HR 38YA	SS 304 - Brush Finish	
							HR 38ZA	SS 304 - Mirror Finish	
2	NHRC 38-B/ES	800x700x200	Surface Mounted	Min. 1.2mm EG Steel Sheet	Epoxy Powder Coated	NHR 38V	HR 38XB	SS 304 - RAL 3000	1.5" Angle Hose Valve Female NPT Inlet x Male NH (SD-AV)
							HR 38YB	SS 304 - Brush Finish	
							HR 38ZB	SS 304 - Mirror Finish	
3	NHRC 38-C/ES	900x800x230	Surface Mounted	Min. 1.2mm EG Steel Sheet	Epoxy Powder Coated	NHR 38V	HR 38XC	SS 304 - RAL 3000	2.5" Angle Hose Valve Double Female NPT (SD-AV)
							HR 38YC	SS 304 - Brush Finish	
							HR 38ZC	SS 304 - Mirror Finish	
4	NHRC 38-D/ES	850x700x230	Surface Mounted	Min. 1.2mm EG Steel Sheet	Epoxy Powder Coated	NHR 38V	HR 38XD	SS 304 - RAL 3000	2.5" Angle Hose Valve Female NPT Inlet x Male NH (SD-AV)
							HR 38YD	SS 304 - Brush Finish	
							HR 38ZD	SS 304 - Mirror Finish	
5	NHRC 38-E/ES	750x700x200	Surface Mounted	Min. 1.2mm EG Steel Sheet	Epoxy Powder Coated	NHR 38V	HR 38XE	SS 304 - RAL 3000	1.5" PRV Double Female NPT (SD-A155)
							HR 38YE	SS 304 - Brush Finish	
							HR 38ZE	SS 304 - Mirror Finish	
6	NHRC 38-F/ES	800x700x200	Surface Mounted	Min. 1.2mm EG Steel Sheet	Epoxy Powder Coated	NHR 38V	HR 38XF	SS 304 - RAL 3000	1.5" PRV Female NPT Inlet x Male NH (SD- A156)
							HR 38YF	SS 304 - Brush Finish	
							HR 38ZF	SS 304 - Mirror Finish	
7	NHRC 38-G/ES	900x800x230	Surface Mounted	Min. 1.2mm EG Steel Sheet	Epoxy Powder Coated	NHR 38V	HR 38XG	SS 304 - RAL 3000	2.5" PRV Double Female NPT (SD-A155)
							HR 38YG	SS 304 - Brush Finish	
							HR 38ZG	SS 304 - Mirror Finish	
8	NHRC 38-H/ES	850x700x230	Surface Mounted	Min. 1.2mm EG Steel Sheet	Epoxy Powder Coated	NHR 38V	HR 38XH	SS 304 - RAL 3000	2.5" PRV Female NPT Inlet x Male NH (SD-A156)
							HR 38YH	SS 304 - Brush Finish	
							HR 38ZH	SS 304 - Mirror Finish	
9	NHRC 38-A/SS	750x700x200	Surface Mounted	Min. 1.2mm Stainless Steel 304/316	Brush Finish / Mirror Finish	NHR 38V	HR 38XA	SS 304 - RAL 3000	1.5" Angle Hose Valve Double Female NPT (SD-AV)
							HR 38YA	SS 304 - Brush Finish	
							HR 38ZA	SS 304 - Mirror Finish	
10	NHRC 38-B/SS	800x700x200	Surface Mounted	Min. 1.2mm Stainless Steel 304/316	Brush Finish / Mirror Finish	NHR 38V	HR 38XB	SS 304 - RAL 3000	1.5" Angle Hose Valve Female NPT Inlet x Male NH (SD-AV)
							HR 38YB	SS 304 - Brush Finish	
							HR 38ZB	SS 304 - Mirror Finish	

SL. NO.	CABINET MODEL	CABINET SIZE	CABINET TYPE	CABINET MATERIAL	CABINET FINISH	HOSE RACK MODEL	HOSE RACK SELECTION		
							PART No.	FRAME FINISH	VALVE COMBINATION
11	NHRC 38-C/SS	900x800x230	Surface Mounted	Min. 1.2mm Stainless Steel 304/316	Brush Finish / Mirror Finish	NHR 38V	HR 38XC	SS 304 - RAL 3000	2.5" Angle Hose Valve Double Female NPT (SD-AV)
							HR 38YC	SS 304 - Brush Finish	
							HR 38ZC	SS 304 - Mirror Finish	
12	NHRC 38-D/SS	850x700x230	Surface Mounted	Min. 1.2mm Stainless Steel 304/316	Brush Finish / Mirror Finish	NHR 38V	HR 38XD	SS 304 - RAL 3000	2.5" Angle Hose Valve Female NPT Inlet x Male NH (SD-AV)
							HR 38YD	SS 304 - Brush Finish	
							HR 38ZD	SS 304 - Mirror Finish	
13	NHRC 38-E/SS	750x700x200	Surface Mounted	Min. 1.2mm Stainless Steel 304/316	Brush Finish / Mirror Finish	NHR 38V	HR 38XE	SS 304 - RAL 3000	1.5" PRV Double Female NPT (SD-A155)
							HR 38YE	SS 304 - Brush Finish	
							HR 38ZE	SS 304 - Mirror Finish	
14	NHRC 38-F/SS	800x700x200	Surface Mounted	Min. 1.2mm Stainless Steel 304/316	Brush Finish / Mirror Finish	NHR 38V	HR 38XF	SS 304 - RAL 3000	1.5" PRV Female NPT Inlet x Male NH (SD-A156)
							HR 38YF	SS 304 - Brush Finish	
							HR 38ZF	SS 304 - Mirror Finish	
15	NHRC 38-G/SS	900x800x230	Surface Mounted	Min. 1.2mm Stainless Steel 304/316	Brush Finish / Mirror Finish	NHR 38V	HR 38XG	SS 304 - RAL 3000	2.5" PRV Double Female NPT (SD-A155)
							HR 38YG	SS 304 - Brush Finish	
							HR 38ZG	SS 304 - Mirror Finish	
16	NHRC 38-H/SS	850x700x230	Surface Mounted	Min. 1.2mm Stainless Steel 304/316	Brush Finish / Mirror Finish	NHR 38V	HR 38XH	SS 304 - RAL 3000	2.5" PRV Female NPT Inlet x Male NH (SD-A156)
							HR 38YH	SS 304 - Brush Finish	
							HR 38ZH	SS 304 - Mirror Finish	
17	NHRC 38-A/R	750x700x200	Recessed Type	Min. 1.2mm EG Steel Sheet	Epoxy Powder Coated	NHR 38V	HR 38XA	SS 304 - RAL 3000	1.5" Angle Hose Valve Double Female NPT (SD-AV)
				Min. 1.2mm Stainless Steel 304/316	Brush Finish / Mirror Finish		HR 38YA	SS 304 - Brush Finish	
				Min. 1.2mm Stainless Steel 304/316 Fascia	Brush Finish / Mirror Finish		HR 38ZA	SS 304 - Mirror Finish	
18	NHRC 38-B/R	800x700x200	Recessed Type	Min. 1.2mm EG Steel Sheet	Epoxy Powder Coated	NHR 38V	HR 38XB	SS 304 - RAL 3000	1.5" Angle Hose Valve Female NPT Inlet x Male NH (SD-AV)
				Min. 1.2mm Stainless Steel 304/316	Brush Finish / Mirror Finish		HR 38YB	SS 304 - Brush Finish	
				Min. 1.2mm Stainless Steel 304/316 Fascia	Brush Finish / Mirror Finish		HR 38ZB	SS 304 - Mirror Finish	
19	NHRC 38-C/R	850x750x230	Recessed Type	Min. 1.2mm EG Steel Sheet	Epoxy Powder Coated	NHR 38V	HR 38XC	SS 304 - RAL 3000	2.5" Angle Hose Valve Double Female NPT (SD-AV)
				Min. 1.2mm Stainless Steel 304/316	Brush Finish / Mirror Finish		HR 38YC	SS 304 - Brush Finish	
				Min. 1.2mm Stainless Steel 304/316 Fascia	Brush Finish / Mirror Finish		HR 38ZC	SS 304 - Mirror Finish	
20	NHRC 38-D/R	800x700x230	Recessed Type	Min. 1.2mm EG Steel Sheet	Epoxy Powder Coated	NHR 38V	HR 38XD	SS 304 - RAL 3000	2.5" Angle Hose Valve Female NPT Inlet x Male NH (SD-AV)
				Min. 1.2mm Stainless Steel 304/316	Brush Finish / Mirror Finish		HR 38YD	SS 304 - Brush Finish	
				Min. 1.2mm Stainless Steel 304/316 Fascia	Brush Finish / Mirror Finish		HR 38ZD	SS 304 - Mirror Finish	
21	NHRC 38-E/R	750x700x200	Recessed Type	Min. 1.2mm EG Steel Sheet	Epoxy Powder Coated	NHR 38V	HR 38XE	SS 304 - RAL 3000	1.5" PRV Double Female NPT (SD-A155)
				Min. 1.2mm Stainless Steel 304/316	Brush Finish / Mirror Finish		HR 38YE	SS 304 - Brush Finish	
				Min. 1.2mm Stainless Steel 304/316 Fascia	Brush Finish / Mirror Finish		HR 38ZE	SS 304 - Mirror Finish	
22	NHRC 38-F/R	800x700x200	Recessed Type	Min. 1.2mm EG Steel Sheet	Epoxy Powder Coated	NHR 38V	HR 38XF	SS 304 - RAL 3000	1.5" PRV Female NPT Inlet x Male NH (SD-A156)
				Min. 1.2mm Stainless Steel 304/316	Brush Finish / Mirror Finish		HR 38YF	SS 304 - Brush Finish	
				Min. 1.2mm Stainless Steel 304/316 Fascia	Brush Finish / Mirror Finish		HR 38ZF	SS 304 - Mirror Finish	
23	NHRC 38-G/R	850x750x230	Recessed Type	Min. 1.2mm EG Steel Sheet	Epoxy Powder Coated	NHR 38V	HR 38XG	SS 304 - RAL 3000	2.5" PRV Double Female NPT (SD-A155)
				Min. 1.2mm Stainless Steel 304/316	Brush Finish / Mirror Finish		HR 38YG	SS 304 - Brush Finish	
				Min. 1.2mm Stainless Steel 304/316 Fascia	Brush Finish / Mirror Finish		HR 38ZG	SS 304 - Mirror Finish	
24	NHRC 38-H/R	800x700x230	Recessed Type	Min. 1.2mm EG Steel Sheet	Epoxy Powder Coated	NHR 38V	HR 38XH	SS 304 - RAL 3000	2.5" PRV Female NPT Inlet x Male NH (SD-A156)
				Min. 1.2mm Stainless Steel 304/316	Brush Finish / Mirror Finish		HR 38YH	SS 304 - Brush Finish	
				Min. 1.2mm Stainless Steel 304/316 Fascia	Brush Finish / Mirror Finish		HR 38ZH	SS 304 - Mirror Finish	

Note: - General Tolerance  $\pm 12"$  (3mm)

\*Size can be reduced to accommodate different equipment's as per requirement

\*\*No of Compartments and Doors may vary in size provided should be within the maximum size

# THROUGH-PENETRATION FIRESTOP SYSTEMS



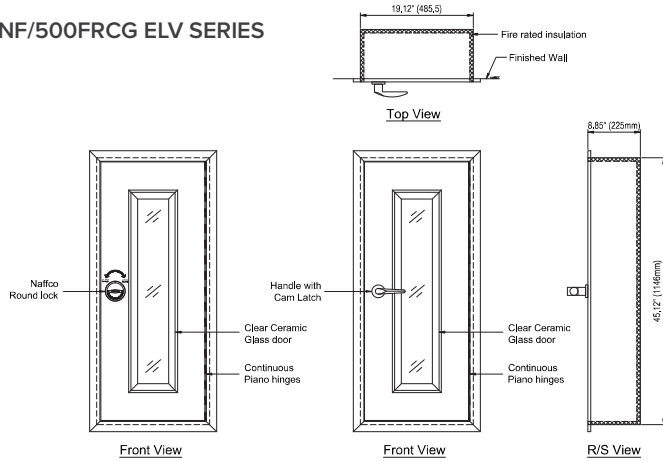
## FIRE RATED CABINETS

### PRODUCT DESCRIPTION

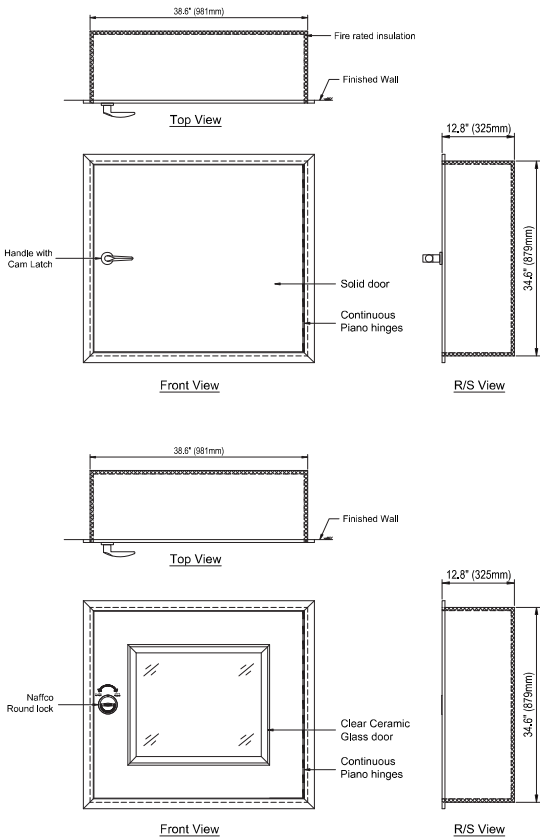
NAFFCO proudly manufactures fire-rated cabinets for use in fire-rated assemblies. Underwriters Laboratories, Inc. has classified and listed NAFFCO fire-rated cabinets for combustible and non-combustible wall systems. The cabinets are tested to ASTM E814 or UL1479 results in hourly rating of 2 hour for both flame ("F") and temperature transfer("T").

The fire-rated option eliminates the costly need to line the wall opening with fire-rated material. It also provides the specified assurance in maintaining the integrity of the wall penetration and in meeting building code specifications.

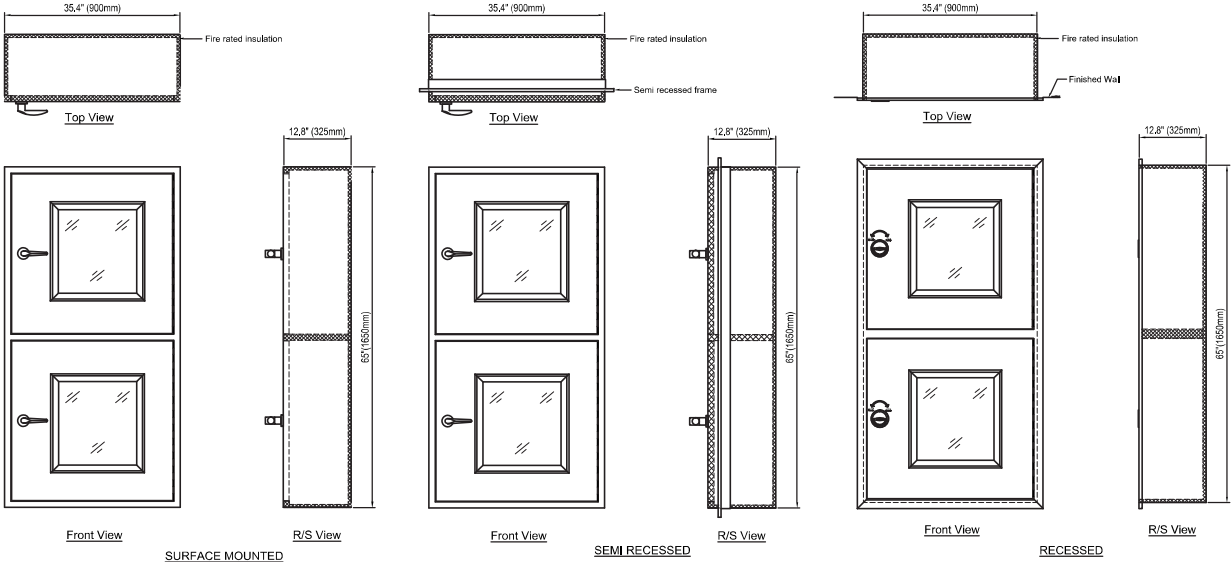
### NF/500FRCG ELV SERIES



### NF/FRC 600HRE SERIES



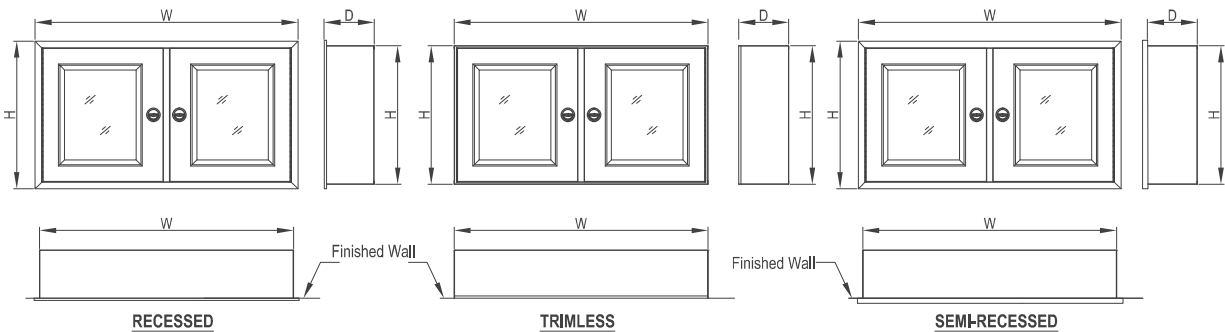
**DOUBLE VERTICAL SERIES**  
 NF/700 FRC & NF/800 FRC)



## DOUBLE HORIZONTAL SERIES (NF/700 FRC & NF/800 FRC)



DOUBLE HORIZONTAL CABINET



### SPECIFICATIONS

Model	NF/800FRC-SERIES, NF700FRC-SERIES, NF/600FRC-SERIES, NF/500FRC-SERIES		
Type		Vertical	Horizontal
Maximum Size	Outside	78.74"(H) X 47.24"(W) X 12.B"(D)	47.24"(H) X 78.74"(W) X 12.B"(D)
		2000mm(H) X 1200mm(W) X 325mm(D)	1200mm(H) X 2000mm(W) X 325mm(D)
	Inside	77.56"(H) X 46.06"(W) X 12.2"(O)	46.06"(H) X 77.56"(W) X 12.2"(O)
		1970mm(H) X 1170mm(W) X 310mm(D)	1170mm(H) X 1970mm(W) X 310mm(D)
Cabinet Material	1.2mm (Minimum) Complete E.g..Sheet , Red (RAL 3000) Powder Coated or Any Other Colors in RAL.		
	1.2mm (Minimum) Stainless steel Fascia, Back box E.g..Sheet		
	1.2mm (Minimum) Complete Stainless Steel 304/316L Brush/Mirror		
Type of Cabinet	Recessed Type, Trimless, Semi-Recessed & Surface Mounted		
Fire Barrier Material	13mm or Greater Thickness Ceramic Blanket		
Fire Rating	F-Rating : 2 hour		
	T-Rating : 2 Hour		
Cabinet to Accommodate	Fire Hose Reel or Fire Hose Rack, Fire Hose, Landing Valve, Water Branch Pipe & Portable Fire Extinguishers		
Door Type	Fire Rated Glass Door (Optional : Fire Rated Solid Door)		
Lock Type	Handle with Cam Latch (Optional : Round lock)		
Standard Compliance	Cabinets tested to ASTM E 814 / UL 1479 result in hourly rating of 2 hour for both flame ("F") and temperature transfer ("T").		
Listing	UL Classified		

Note: - General Tolerance  $\pm 12"$  (3mm)

\*Size can be reduced to accommodate different equipment's as per requirement

\*\*No of Compartments and Doors may vary in size provided should be within the maximum size



**SPECIFICATIONS**

SERIES	Recessed Type Model	Dimensions* in mm			Cabinet Description
	Surface Type Model	Height	Width	Depth	
NF/800FRC SERIES	NF/800FRC/R/CDV#	2000	1200	325	Custom made vertical cabinet as per requirement
	NF/800FRC/S/CDV#				
	NF/800FRC/R/CDH#	1200	2000	325	Custom made Horizontal cabinet as per requirement
	NF/800FRC/S/CDH#				
	NF/800FRC/R/SCM	900	750	300	Single Compartment Fire Hose Reel Cabinet to accommodate Cabinet Mounted Hose Reel
	NF/800FRC/S/SCM				
	NF/800FRC/R/SWM	850	750	300	Single Compartment Fire Hose Reel Cabinet to accommodate Wall Mounted Hose Reel
	NF/800FRC/S/SWM				
	NF/800FRC/R/38HR	750	700	250	Single Compartment Fire Hose Rack Cabinet to accommodate 1.5" x 30Mtr Fire Hose Rack
	NF/800FRC/S/38HR				
	NF/800FRC/R/64HR	850	800	250	Single Compartment Fire Hose Rack Cabinet to accommodate 2.5" x 30Mtr Fire Hose Rack
	NF/800FRC/S/64HR				
	NF/800FRC/R/SSE	850	350	220	Single Compartment Fire Extinguisher Cabinets to accommodate Single Fire Extinguishers
	NF/800FRC/S/SSE				
	NF/800FRC/R/SDE	850	550	250	Single Compartment Fire Extinguisher Cabinets to accommodate Double Fire Extinguishers
	NF/800FRC/S/SDE				
	NF/800FRC/R/FLV	900	800	250	Single Compartment Landing valve Cabinet to accommodate Fire Hose and Landing valve
	NF/800FRC/S/FLV				
	NF/800FRC/R/SCE	900	900	300	Single compartment to accommodate cabinet mounted Fire hose reel & Fire Extinguisher cabinet
	NF/800FRC/S/SCE				
NF/800FRC/R/DV	1650	800	300	Double Compartment Vertical Cabinet to accommodate Fire Hose Reels with Extinguishers and Fire Hose	
NF/800FRC/S/DV					
NF/800FRC/R/DH	900	1650	300	Double Compartment Horizontal Cabinet to accommodate Fire Hose Reels with Fire Extinguishers and Fire Hose	
NF/800FRC/S/DH					
NF/800FRC/R/DHE	900	1100	300	Double Compartment Horizontal Cabinet to accommodate Fire Hose Reels & Fire Extinguisher	
NF/800FRC/S/DHE					
NF/800FRC/S/FE+	1300	850	325	Single Compartment Foam Equipment Cabinet to accommodate Foam Equipment's	
NF/700FRC SERIES	NF/700FRC/DV#	1650	900	325	Cabinet to accommodate various firefighting equipments as per customer requirement
	NF/700FRC/DH#	900	1650	325	
NF/FRC600 SERIES	NF/FRC600 HRE	879.5	981	325	Cabinet to accommodate various firefighting equipments as per customer requirement
NF/500FRC SERIES	NF/500FRCG ELV	1146	485.5	225	To accommodate portable Fire extinguisher or Landing valve

**Note:**

\* Max Dimensions

# Max Dimension, Cabinets may be constructed of one or more compartments. The number of doors and compartments are independent and may vary in size as to not exceed the maximum dimensions specified above.

+ Only Surface Mounted Type Available