

Features**Audible/visible (A/V) notification appliances with efficient electronic horn and high output xenon strobe, available for wall or ceiling mount**

- Operation is compatible with ADA requirements (refer to important installation information on page 3)
- Rugged, high impact, flame retardant thermoplastic housings are available in red or white with clear lens

Operates over a two-wire SmartSync circuit to provide:

- Horns that are controlled separately from strobes on the same two-wire circuit
- “On-until-silenced” and “on-until-reset” operation on the same two-wire pair
- SmartSync horn activation of Temporal pattern, March Time pattern (at 60 BPM), or on continuously
- Strobe appliances on the same circuit operating at a synchronized 1 Hz flash rate
- Class B operation requires connection to a compatible SmartSync NAC or to SmartSync Control Module (SCM) 4905-9938
- Class A operation when connected to the 4905-9938 SCM or with 4100U series fire alarm control panel NACs

Wall mount A/Vs features:

- Wiring terminals are accessible from the front of the housing providing easy access for installation, inspection, and testing
- Covers are available separately to convert housing color
- Available UL listed sound damper for locations requiring attenuation of 5 to 6 dBA (stairwells, small rooms, highly reverberant areas, etc.)

Optional adapters and wire guards:

- Wall mount A/V adapters are available to cover surface mounted electrical boxes and to adapt to Simplex® 2975-9145 boxes
- UL listed red wire guards are available for wall or ceiling mount A/Vs

Visible notification appliance (strobe):

- 24 VDC xenon strobe; intensity is selectable as 15, 30, 75, or 110 candela with visible selection jumper secured behind strobe housing
- UL listed to Standard 1971
- Regulated circuit design ensures consistent flash output and provides controlled inrush current

Audible notification appliance (horn):

- Low current, 24 VDC electronic horn with harmonically rich sound output suitable for either steady or coded operation (Temporal or 60 BPM March Time pattern)
- UL listed to Standard 464



Wall and Ceiling Mount A/Vs

Description

Multi-Candela TrueAlert A/Vs with horn and synchronized strobe provide convenient installation to standard electrical boxes. The enclosure designs are both impact and vandal resistant and provide a convenient strobe intensity selection. Since each model can be selected for strobe intensity output, on-site model inventory is minimized and changes encountered during construction can be easily accommodated.

Wall mount A/V housings are a one-piece assembly (including lens) that mounts to a single or double gang, or 4” square standard electrical box. The cover can be quickly removed (a tool is required) and covers are available separately for color conversion.

Ceiling mount A/Vs install using standard 4” electrical boxes. Color choice is determined by model number.

Strobe Intensity Selection

During installation, a selection plug at the back of the housing determines the desired strobe intensity. An attached flag with black letters on a highly visible yellow background allows the selected intensity to be seen at the side of the strobe lens.

* This product has been approved by the California State Fire Marshal (CSFM) pursuant to Section 13144.1 of the California Health and Safety Code. See CSFM Listing 7125-0026:317 for allowable values and/or conditions concerning material presented in this document. Accepted for use – City of New York Department of Buildings – MEA35-93E. Refer to page 2 for listing status of wire guards. Additional listings may be applicable; contact your local Simplex product supplier for the latest status. Listings and approvals under Simplex Time Recorder Co. are the property of Tyco Fire Protection Products.

Strobe Application Selection

Proper selection of visible notification is dependent on occupancy, location, local codes, and proper applications of: the *National Fire Alarm Code* (NFPA 72), ANSI A117.1; the appropriate model building code: BOCA, ICBO, or SBCCI; and the application guidelines of the Americans with Disabilities Act (ADA).

Synchronized Strobes

Multiple Strobes. When multiple strobes and their reflections can be seen from one location, synchronized flashes reduce the probability of photo-sensitive reactions as well as the annoyance and possible distraction of random flashing. The multi-candela strobes of these A/Vs are synchronized by the controlling SmartSync operation NAC.

Product Selection

Multi-Candela A/Vs

Model	Mounting	Housing Color	"FIRE" Lettering	Description
4906-9127	Wall	Red	White	Horn with Multi-Candela Strobe; strobe intensity selectable as: 15, 30, 75, or 110 candela; operates with SmartSync two-wire control
4906-9129		White	Red	
4906-9128	Ceiling	Red	White	
4906-9130		White	Red	

Wall Mount A/V Accessories

Model	Description	Dimensions
4905-9937	Red Surface Mount Adapter Skirt; use to cover 1-1/2" (38 mm) deep surface mounted boxes	5-3/8" H x 5-1/4" W x 1-5/8" D (136 mm x 133 mm x 41 mm)
4905-9940	White Surface Mount Adapter Skirt; use to cover 1-1/2" (38 mm) deep surface mounted boxes	depth with strobe = 4-3/8" (111 mm)
4905-9931	Red Adapter Plate for mounting to Simplex 2975-9145 box (typically for retrofit, may be mounted vertical or horizontal)	8-5/16" x 5-3/4" x 0.060" Thick (211 mm x 146 mm x 1.5 mm)
2975-9145	Red Mounting Box, requires Adapter Plate 4905-9931	7-7/8" x 5-1/8" x 2-3/4" D (200 mm x 130 mm x 70 mm)
4905-9838	Optional Sound Damper; package of 20; field installed adhesive backed horn output attenuator; reduces output 5 to 6 dBA NOTE: After Sound Damper installation, measure sound level to ensure compliance with applicable code requirements	1-3/4" Diameter (44.5 mm) with 0.31" (8 mm) sound opening

SmartSync Control Module

Model	Description	Dimensions
4905-9938	SmartSync Control Module with Class B or Class A output; mounts in 4" (102 mm) square box; refer to data sheet S4905-0003 for details	4" x 4-1/8" x 1-1/4" D (102 mm x 105 mm x 32 mm)

Replacement Covers for Wall Mount A/Vs

Model	Description	Dimensions
4905-9994	Red cover with white "FIRE" lettering	5-1/8" H x 5" W x 1-1/2" D (130 mm x 127 mm x 38 mm)
4905-9995	White cover with red "FIRE" lettering	

Wire Guards and Ceiling Mount A/V Adapter

Model	Description	Dimensions
4905-9961*	Wall mount red wire guard with mounting plate, compatible with semi-flush or surface mounted boxes	6-1/16" H x 6-1/16" W x 3-1/8" D (154 mm x 154 mm x 79 mm)
4905-9927*	Red Wire Guard for mounting to flush mounted electrical box	8-1/2" x 6-1/8" x 3" (216 mm x 156 mm x 76 mm)
4905-9928*	Ceiling Mount Red Adapter Plate, required to mount guard to surface mounted electrical box	9" x 7" (229 mm x 178 mm)
4905-9915	White Surface Mount Adapter Box Extension, use to cover 1-1/2" deep surface mounted boxes	4-3/4" x 6-7/8" x 1-1/2" deep, (121 mm x 175 mm x 38 mm)
4905-9916	Red Surface Mount Adapter Box Extension, use to cover 1-1/2" deep surface mounted boxes	

* UL listed by Space Age Electronics Inc.

SmartSync Two-Wire Control

SmartSync operation mode allows a two-wire circuit to provide the ability to activate both the horn and strobe on the same NAC and then allow the horn to be silenced while the strobe remains flashing. The horn operates as "on-until-silenced" while the strobe operation is "on-until-reset."

SmartSync Control Sources

- **4006, 4007ES Hybrid, 4008, 4010, 4010ES, 4100ES, and 4100U Fire Alarm Control Panels** (refer to individual product data sheets for more information)
- **4009 IDNet NAC Extender** (refer to data sheet S4009-0002)
- **SmartSync Control Module (SCM) 4905-9938** (refer to data sheet S4905-0003)

Additional SmartSync compatible notification appliances include separate horns and combination horn/strobe notification appliances.

A/V Specifications

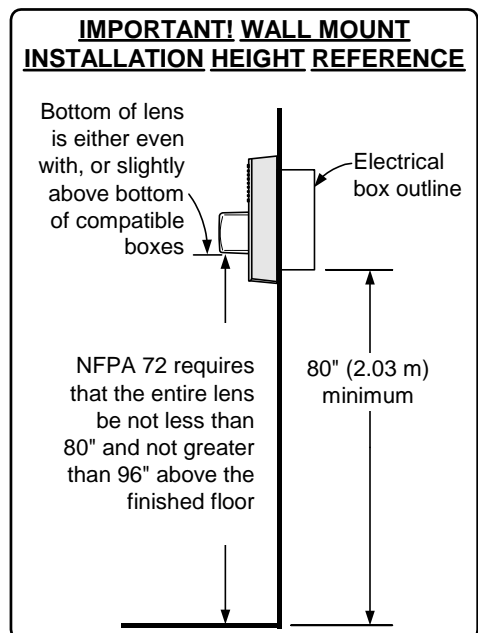
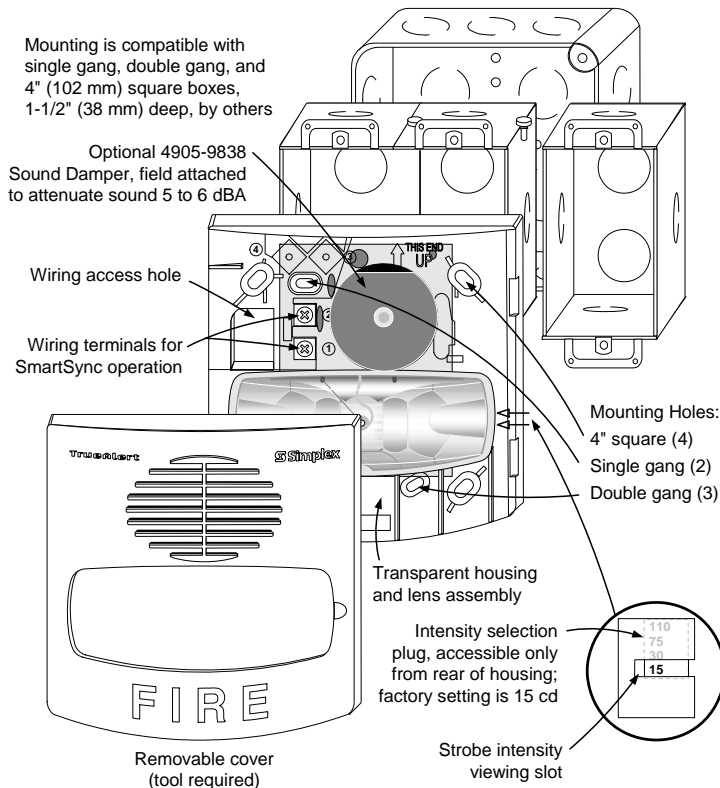
Wall Mount or Ceiling Mount, Common Specifications

Rated Voltage Range	UL Listed Rating ULC Listed Rating	Regulated 24 DC; see Note 1 below 20 VDC to 30 VDC per ULC S526-M878					
Flash Rate and Synchronized NAC Loading		1 Hz; with up to 35 synchronized strobes maximum per NAC					
Environmental; Temperature and Humidity		32° to 122° F (0° to 50° C); 10% to 93%, non-condensing at 100° F (38° C)					
Connections		Terminal blocks for 18 AWG to 12 AWG (0.82 mm ² to 3.31 mm ²); two wires per terminal for in/out wiring					
Horn Output Characteristics		2400 to 3700 Hz sweep, modulated at 120 Hz rate					
Horn Output Ratings @ 10 ft (3 m) (see Note 2)	Voltage	16 VDC		24 VDC		33 VDC	
	Sound Type (see Note 2)	Steady	Coded	Steady	Coded	Steady	Coded
	UL 464 Reverberant Chamber	86 dBA	82 dBA	88 dBA	84 dBA	90 dBA	86 dBA
	Anechoic Chamber	92 dBA	91 dBA	94 dBA	95 dBA	96 dBA	96 dBA
Wall Mount	Housing Dimensions (with lens)	5-1/8" H x 5" W x 2-3/4" D (130 mm x 127 mm x 70 mm)					
	Maximum RMS Current Rating per Strobe Setting (see Note 3 below)	15 cd	30 cd	75 cd	110 cd		
		75 mA	116 mA	221 mA	285 mA		
	Reference RMS Currents at other voltages	18 VDC	67 mA	103 mA	196 mA	253 mA	
24 VDC		50 mA	77 mA	147 mA	190 mA		
Ceiling Mount	Housing Dimensions (with lens)	4-3/4 L" x 6-7/8" W x 2-5/8" D (121 mm x 175 mm x 67 mm)					
	Maximum RMS Current Rating per Strobe Setting (see Note 3 below)	15 cd	30 cd	75 cd	110 cd		
		86 mA	132 mA	250 mA	320 mA		
	Reference RMS Currents at other voltages	18 VDC	76 mA	117 mA	222 mA	284 mA	
24 VDC		57 mA	88 mA	167 mA	213 mA		

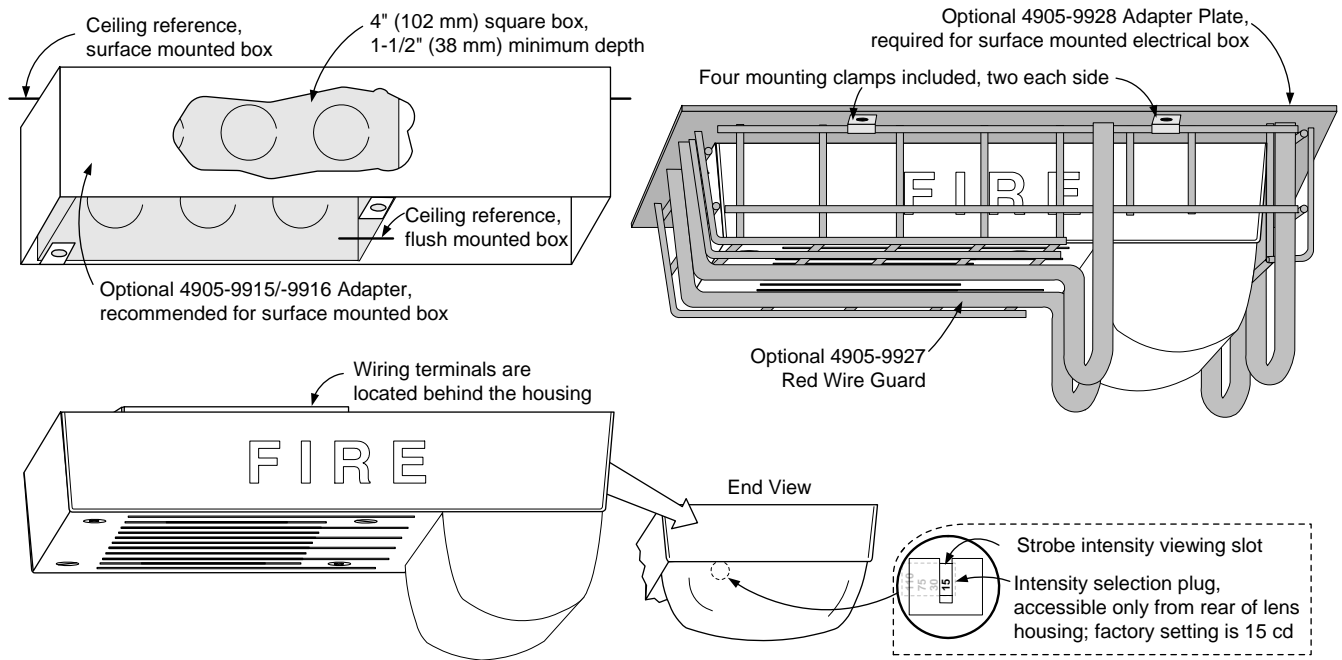
NOTES:

1. "Regulated 24 DC" refers to the voltage range of 16 to 33 VDC per UL Standard 1971, *Signaling Devices for the Hearing Impaired*. This voltage range is the absolute operating range. Operation outside of this range may cause permanent damage to the appliance. Please note that 16 VDC is the lowest operating voltage that is allowed at the last appliance on the NAC under worst case conditions.
2. Coded values are typical of the output measured with a Temporal coded or a March Time coded pulse and with a sound level meter reading on a "fast" setting. Under the same test conditions, coded horn output "peak" sound level readings are typically 4 dBA higher. Anechoic horn output ratings are typically more representative of actual installed sound output.
3. Currents are with horn on steady. The maximum RMS current listed is the device nameplate rating. Strobe designs are constant wattage and the maximum RMS current rating occurs at the lowest allowable operating voltage. (RMS is root mean square and refers to the effective value of a varying current waveform.)

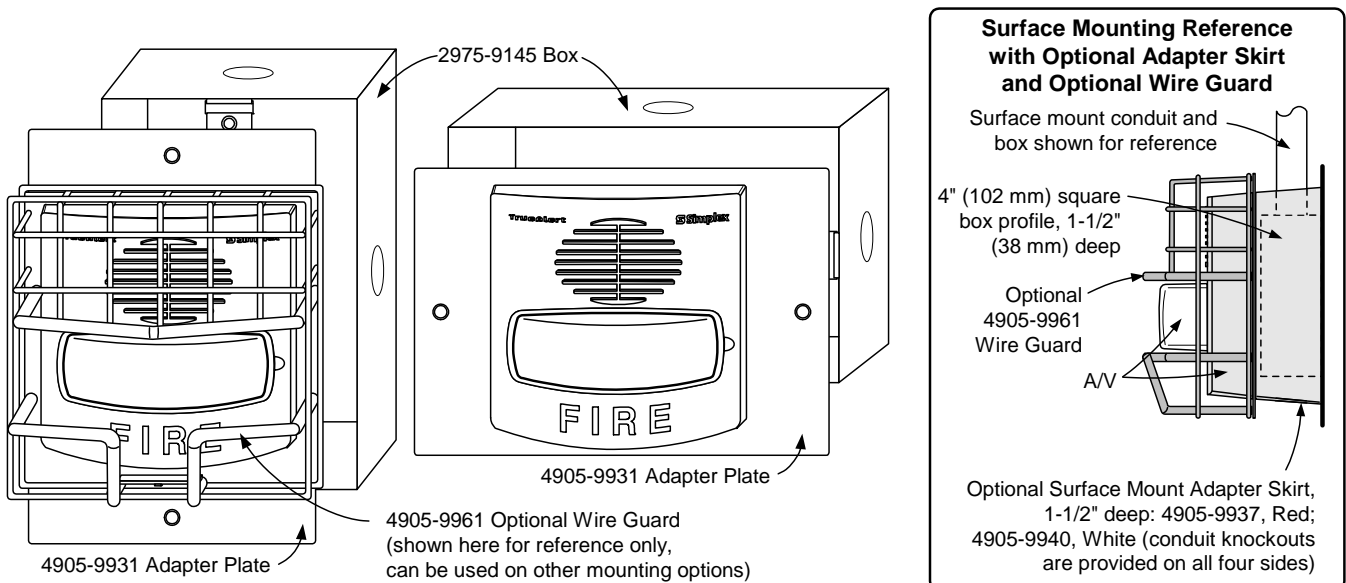
Installation Reference, Surface or Semi-Flush Mounting



Ceiling Mount A/V and Guard Installation Reference



Wall Mount Installation Reference; Adapter Plate, Guard, and Adapter Skirt



TYCO, SIMPLEX, and the product names listed in this material are marks and/or registered marks. Unauthorized use is strictly prohibited. NFPA 72 and National Fire Alarm and Signaling Code are registered trademarks of the National Fire Protection Association (NFPA).



Tyco Fire Protection Products • Westminster, MA • 01441-0001 • USA
www.simplex-fire.com

S4906-0002-6 11/2014

© 2014 Tyco Fire Protection Products. All rights reserved. All specifications and other information shown were current as of document revision date and are subject to change without notice.