

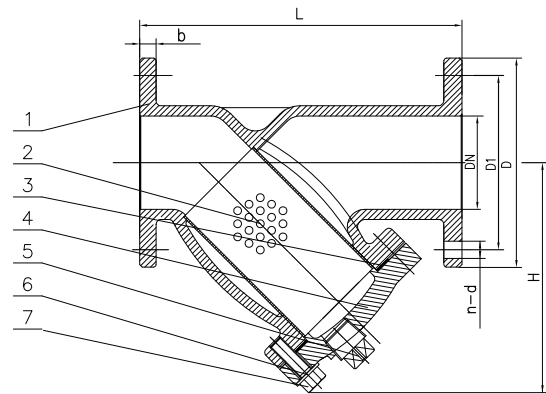
Y STRAINER

MODEL: SD-YS300FF-D

- Working pressure: 300 psi
- Connection ends: Flange to ASME B16.1 Class 125
- Temperature range: 0°C to 80°C Rubber Gasket
-10°C to 350°C Graphite Gasket
- Coating: Fusion bonded epoxy coating internally and externally in accordance with ANSI/AWWA C550



PART NO.	PART NAME	ASTM SPEC.
1	Valve Body	ASTM A536, 65-45-12
2	Screen	AISI 304
3	Gasket	EPDM
4	Bonnet	ASTM A536, 65-45-12
5	Plug	Bronze ASTM B584
6	Bolt	Carbon Steel Zinc Plated
7	Flat Washer	Carbon Steel Zinc Plated



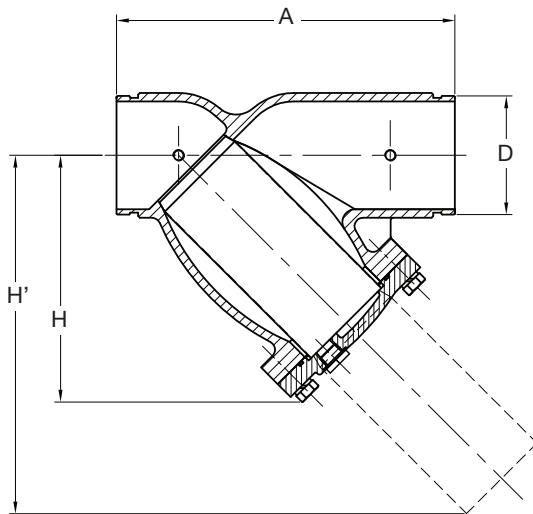
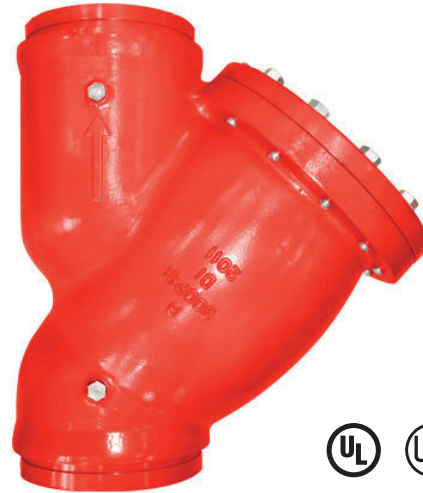
Size	L	D	D1	b	nxd	H	Net. Wt. Kg.	Screen Details		
								Screen hole diameter	Sieve No.	Free flow area (%)
2"	200	152	120.5	16	4 x 19.1	155	8.70	4	25	48
2½"	254	178	139.5	17.5	4 x 19.1	165	12.20	4	25	48
3"	257	191	152.5	19	4 x 19.1	180	13.84	5	19	59
4"	308	229	190.5	24	8 x 19.1	229	23.88	5	19	59
5"	397	254	216	24	8 x 22.2	285	43.79	6	14	63
6"	470	279	241.5	25.5	8 x 22.2	311	43.79	6.3	13	64
8"	549	343	298.5	28.5	8 x 22.2	394	75.27	6.3	13	64
10"	654	406	362	30.5	12 x 25.4	487	109.25	6.3	13	64
12"	759	483	432	32	12 x 25.4	547	173.10	6.3	13	64

Unit : mm

Y STRAINER

MODEL: SD-YS300GG-D

- Groove - Groove ends
- Working pressure is 300 psi
- Working temperature -10°C to 120°C
- Valve comply to AWWA C 606
- FBE coating internally and externally



PART NAME	MATERIAL	ASTM SPEC.
Body	Ductile Iron	A536 65-45-12
Cover	Ductile Iron	A536 65-45-12
O Ring	EPDM	
Screen	Stainless Steel	SS304
Plug	Steel	Q235+Zn
Test Screw	Brass	ASTM B16

Size	A	D	H	H'	Screen Details		
					Screen hole diameter	Area of opening (cm ²)	Friction lost at 15 FPS
2"	203.2	60.3	130	195	3.3	9503.67	7.22
2½"	254	73	158	240	3.3	13761.30	5.89
3"	260	88.9	175	270	3.3	19105.64	8.24
4"	308.1	114.3	202	320	4.78	32638.60	5.88
5"	398.3	139.7	290	425	4.78	52587.00	7.63
6"	471.4	168.3	334	495	6	80637.67	4.82
8"	549.4	219.1	391	570	6.4	132617.48	5.83
10"	654.1	273	459.4	700	6.4	205850.99	7.25
12"	762	323.9	590	840	6.4	293121.82	5.73

Unit : mm