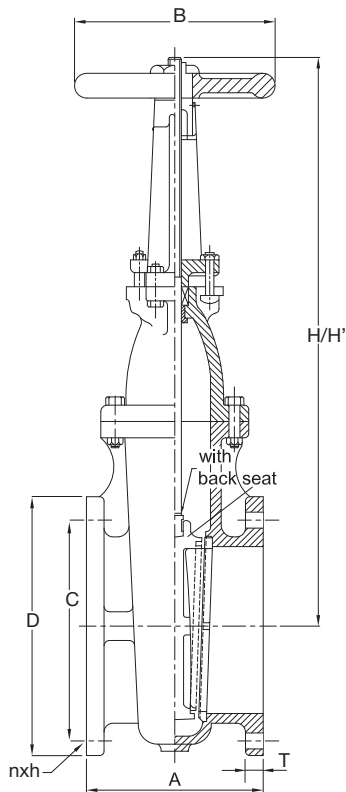


OS & Y RESILIENT WEDGE GATE VALVE

MODEL: SD-OSY175GV

- Outside screw and yoke
- Iron body. Bronze mounted. Solid wedge
- Flanged ends to ANSI B16.1 Class 125
- Working pressure: 175 psi (non-shock cold water pressure)
- Conform to MSS SP-70
- Pregrooved stem for supervisory switch



| PART NAME | MATERIAL | ASTM SPEC. |
|-----------|----------------------|---------------|
| Body | Cast Iron | ASTM A126-B |
| Disc | Cast Iron | ASTM A126-B |
| Bonnet | Cast Iron | ASTM A126-B |
| Packing | Non-Asbestos packing | |
| Gland | Ductile Iron | A536 65-45-12 |
| Yoke | Cast Iron | ASTM A126-B |
| Stem | Stainless Steel | AISI 420 |
| Handwheel | Cast Iron | ASTM A126-B |

| Size | A | B | C | D | H | H' | T | nxh | Net. Wt. Lbs. |
|------|-----|-----|-----|-----|------|------|------|-----------|---------------|
| 2" | 178 | 178 | 121 | 152 | 375 | 394 | 15.8 | 4 x19.1 | 36 |
| 2½" | 190 | 178 | 140 | 178 | 422 | 454 | 17.4 | 4 x19.1 | 48 |
| 3" | 203 | 203 | 152 | 191 | 479 | 514 | 19.1 | 4 x19.1 | 60 |
| 4" | 229 | 254 | 191 | 229 | 594 | 644 | 23.8 | 8 x19.1 | 103 |
| 6" | 267 | 305 | 241 | 279 | 819 | 860 | 25.4 | 8 x 22.2 | 186 |
| 8" | 292 | 356 | 298 | 343 | 1003 | 1102 | 28.5 | 8 x 22.2 | 298 |
| 10" | 330 | 406 | 363 | 406 | 1222 | 1324 | 30.1 | 12 x 25.4 | 441 |
| 12" | 356 | 457 | 432 | 483 | 1422 | 1524 | 31.7 | 12 x 25.4 | 628 |

Unit : mm

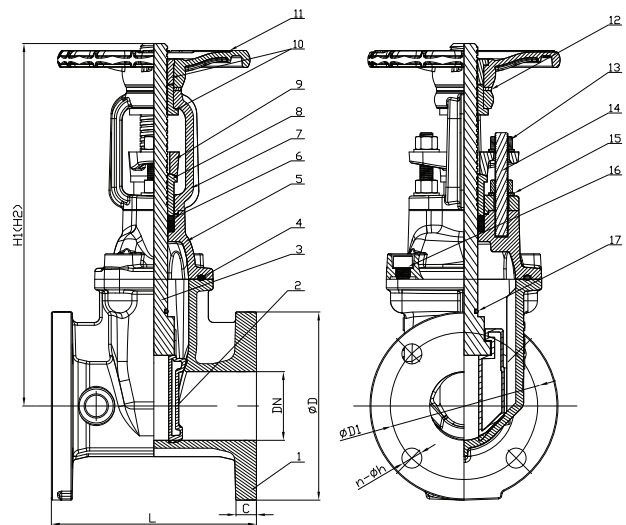
OS & Y RESILIENT WEDGE GATE VALVE

MODEL: SD-OSY200FF-D

- Working pressure: 200 psi
- Connection ends: Flange to ASME B16.1 Class 125
- Temperature range: 0°C to 80°C
- Coating: Fusion bonded epoxy coating internally and externally in accordance with ANSI/AWWA C550



| PART NO. | PART NAME | ASTM SPEC. |
|----------|----------------------|--------------------------|
| 1 | Valve Body | ASTM A536, 65-45-12 |
| 2 | Resilient Wedge Disc | ASTM A536, 65-45-12+EPDM |
| 3 | Stem | AISI420 |
| 4 | Bonnet Gasket | EPDM |
| 5 | Bonnet | ASTM A536, 65-45-12 |
| 6 | Washer | Brass Hpb59-1 |
| 7 | Yoke | ASTM A536, 65-45-12 |
| 8 | Stem Bushing | Brass Hpb59-1 |
| 9 | Gland | ASTM A536, 65-45-12 |
| 10 | Stem Nut | Brass Hpb59-1 |
| 11 | Hand Wheel | ASTM A536, 65-45-12 |
| 12 | Washer | Brass Hpb59-1 |
| 13 | Gland Nut | Carbon Steel Zinc Plated |
| 14 | Stud | Carbon Steel Zinc Plated |
| 15 | Flat Washer | Carbon Steel Zinc Plated |
| 16 | Nut | Carbon Steel Zinc Plated |
| 17 | O Ring | EPDM |



* Optional for Stem AISI316

| Size | L | H1 | H2 | D | D1 | C | n x ø h | Net. Wt. Kg. |
|------|-----|------|------|-----|-------|------|-----------|--------------|
| 2" | 178 | 318 | 370 | 152 | 120.7 | 16 | 4 x 19.1 | 14.38 |
| 2.5" | 190 | 343 | 410 | 178 | 139.7 | 17.5 | 4 x 19.1 | 17.42 |
| 3" | 203 | 386 | 468 | 191 | 152.4 | 19.1 | 4 x 19.1 | 22.83 |
| 4" | 229 | 436 | 538 | 229 | 190.5 | 19.1 | 8 x 19.1 | 31.56 |
| 5" | 254 | 516 | 640 | 254 | 215.9 | 19.1 | 8 x 22.2 | 41.86 |
| 6" | 267 | 576 | 730 | 279 | 241.3 | 19.1 | 8 x 22.2 | 52.23 |
| 8" | 292 | 749 | 950 | 343 | 298.5 | 22.2 | 8 x 22.2 | 91.04 |
| 10" | 330 | 904 | 1158 | 406 | 362 | 23.8 | 12 x 25.4 | 133.44 |
| 12" | 356 | 1030 | 1335 | 483 | 431.8 | 25.4 | 12 x 25.4 | 197.50 |

* 5" - Only UL Listing

Unit : mm

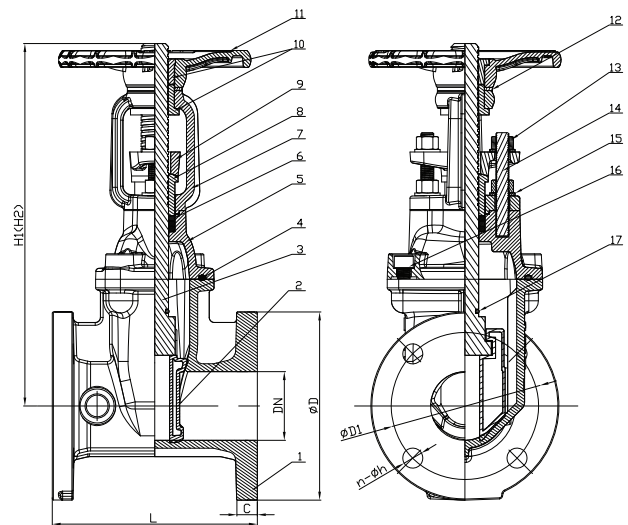
OS & Y RESILIENT WEDGE GATE VALVE

MODEL: SD-OSY250FF-D

- Working pressure: 250 psi
- Connection ends: Flange to ASME B16.1 Class 125
- Temperature range: 0°C to 80°C
- Coating: Fusion bonded epoxy coating internally and externally in accordance with ANSI/AWWA C550



| PART NO. | PART NAME | ASTM SPEC. |
|----------|----------------------|--------------------------|
| 1 | Valve Body | ASTM A536, 65-45-12 |
| 2 | Resilient Wedge Disc | ASTM A536, 65-45-12+EPDM |
| 3 | Stem | AISI420 |
| 4 | Bonnet Gasket | EPDM |
| 5 | Bonnet | ASTM A536, 65-45-12 |
| 6 | Washer | Brass Hpb59-1 |
| 7 | Yoke | ASTM A536, 65-45-12 |
| 8 | Stem Bushing | Brass Hpb59-1 |
| 9 | Gland | ASTM A536, 65-45-12 |
| 10 | Stem Nut | Brass Hpb59-1 |
| 11 | Hand Wheel | ASTM A536, 65-45-12 |
| 12 | Washer | Brass Hpb59-1 |
| 13 | Gland Nut | Carbon Steel Zinc Plated |
| 14 | Stud | Carbon Steel Zinc Plated |
| 15 | Flat Washer | Carbon Steel Zinc Plated |
| 16 | Nut | Carbon Steel Zinc Plated |
| 17 | O Ring | EPDM |



* Optional for Stem AISI316

| Size | L | H1 | H2 | D | D1 | C | n x ø h | Net. Wt. Kg. |
|------|-----|------|------|-----|-------|------|-----------|--------------|
| 2" | 178 | 318 | 370 | 152 | 120.7 | 16 | 4 x 19.1 | 14.38 |
| 2.5" | 190 | 343 | 410 | 178 | 139.7 | 17.5 | 4 x 19.1 | 17.42 |
| 3" | 203 | 386 | 468 | 191 | 152.4 | 19.1 | 4 x 19.1 | 22.83 |
| 4" | 229 | 436 | 538 | 229 | 190.5 | 19.1 | 8 x 19.1 | 31.56 |
| 5" | 254 | 516 | 640 | 254 | 215.9 | 19.1 | 8 x 22.2 | 41.86 |
| 6" | 267 | 576 | 730 | 279 | 241.3 | 19.1 | 8 x 22.2 | 52.23 |
| 8" | 292 | 749 | 950 | 343 | 298.5 | 22.2 | 8 x 22.2 | 91.04 |
| 10" | 330 | 904 | 1158 | 406 | 362 | 23.8 | 12 x 25.4 | 133.44 |
| 12" | 356 | 1030 | 1335 | 483 | 431.8 | 25.4 | 12 x 25.4 | 197.50 |

* 5" - Only UL Listing

Unit : mm

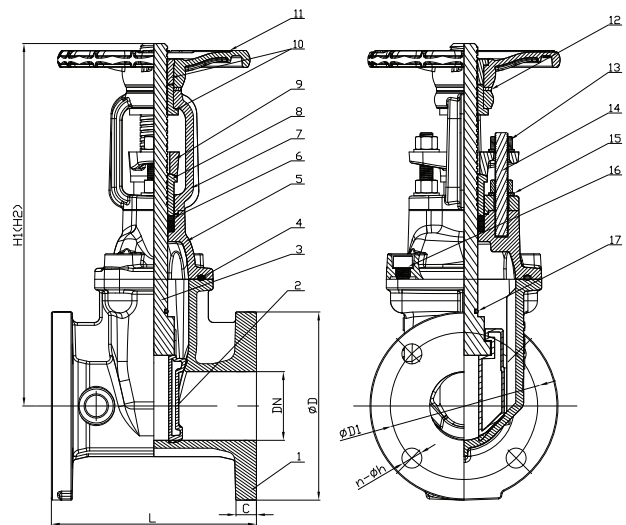
OS & Y RESILIENT WEDGE GATE VALVE

MODEL: SD-OSY300FF-D

- Working pressure: 300 psi
- Connection ends: Flange to ASME B16.1 Class 125
- Temperature range: 0°C to 80°C
- Coating: Fusion bonded epoxy coating internally and externally in accordance with ANSI/AWWA C550



| PART NO. | PART NAME | ASTM SPEC. |
|----------|----------------------|--------------------------|
| 1 | Valve Body | ASTM A536, 65-45-12 |
| 2 | Resilient Wedge Disc | ASTM A536, 65-45-12+EPDM |
| 3 | Stem | AISI420 |
| 4 | Bonnet Gasket | EPDM |
| 5 | Bonnet | ASTM A536, 65-45-12 |
| 6 | Washer | Brass Hpb59-1 |
| 7 | Yoke | ASTM A536, 65-45-12 |
| 8 | Stem Bushing | Brass Hpb59-1 |
| 9 | Gland | ASTM A536, 65-45-12 |
| 10 | Stem Nut | Brass Hpb59-1 |
| 11 | Hand Wheel | ASTM A536, 65-45-12 |
| 12 | Washer | Brass Hpb59-1 |
| 13 | Gland Nut | Carbon Steel Zinc Plated |
| 14 | Stud | Carbon Steel Zinc Plated |
| 15 | Flat Washer | Carbon Steel Zinc Plated |
| 16 | Nut | Carbon Steel Zinc Plated |
| 17 | O Ring | EPDM |



* Optional for Stem AISI316

| Size | L | H1 | H2 | D | D1 | C | n x ø h | Net. Wt. Kg. |
|------|-----|------|------|-----|-------|------|-----------|--------------|
| 2" | 178 | 318 | 370 | 152 | 120.7 | 16 | 4 x 19.1 | 14.38 |
| 2.5" | 190 | 343 | 410 | 178 | 139.7 | 17.5 | 4 x 19.1 | 17.42 |
| 3" | 203 | 386 | 468 | 191 | 152.4 | 19.1 | 4 x 19.1 | 22.83 |
| 4" | 229 | 436 | 538 | 229 | 190.5 | 19.1 | 8 x 19.1 | 31.56 |
| 5" | 254 | 516 | 640 | 254 | 215.9 | 19.1 | 8 x 22.2 | 41.86 |
| 6" | 267 | 576 | 730 | 279 | 241.3 | 19.1 | 8 x 22.2 | 52.23 |
| 8" | 292 | 749 | 950 | 343 | 298.5 | 22.2 | 8 x 22.2 | 91.04 |
| 10" | 330 | 904 | 1158 | 406 | 362 | 23.8 | 12 x 25.4 | 133.44 |
| 12" | 356 | 1030 | 1335 | 483 | 431.8 | 25.4 | 12 x 25.4 | 197.50 |

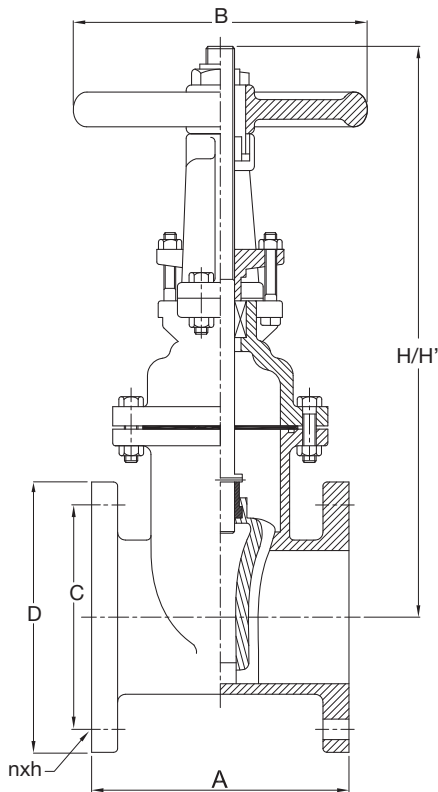
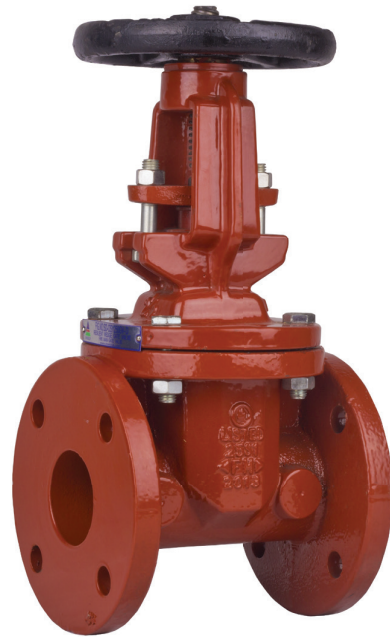
* 5" - Only UL Listing

Unit : mm

OS & Y RESILIENT WEDGE GATE VALVE

MODEL: SD-OSY250GV-D

- Valve complies with AWWA C515
- Working Pressure 250 psi. Cold water pressure (Max. temp. 63°C)
- Flanged Ends to ANSI B16.1 Class 125
- Pre-grooved stem for supervisory switch
- Epoxy coated interior / exterior to AWWA C550



| PART NAME | MATERIAL | ASTM SPEC. |
|--------------|-------------------------------|--------------------|
| Body | Ductile Iron | ASTM A536 65-45-12 |
| Wedge | Ductile Iron coated with EPDM | |
| Bonnet | Ductile Iron | ASTM A536 65-45-12 |
| Packing | Graphite packing | |
| Gland Flange | Ductile Iron | A536 65-45-12 |
| Yoke Sleeve | Cast Bronze | ASTM B62 |
| Stem | Stainless Steel | AISI 420 |
| Handwheel | Cast Iron | ASTM A126-B |

| Size | A | B | C | D | H | H' | nxh |
|------|-----|-----|-----|-----|------|------|-----------|
| 2½" | 190 | 178 | 140 | 178 | 324 | 378 | 4 x 19.1 |
| 3" | 203 | 254 | 152 | 191 | 483 | 559 | 4 x 19.1 |
| 4" | 229 | 254 | 191 | 229 | 495 | 597 | 8 x 19.1 |
| 6" | 267 | 305 | 241 | 279 | 664 | 816 | 8 x 22.2 |
| 8" | 292 | 356 | 298 | 343 | 816 | 1019 | 8 x 22.2 |
| 10" | 330 | 406 | 363 | 406 | 1019 | 1273 | 12 x 25.4 |
| 12" | 356 | 457 | 432 | 483 | 1191 | 1505 | 12 x 25.4 |

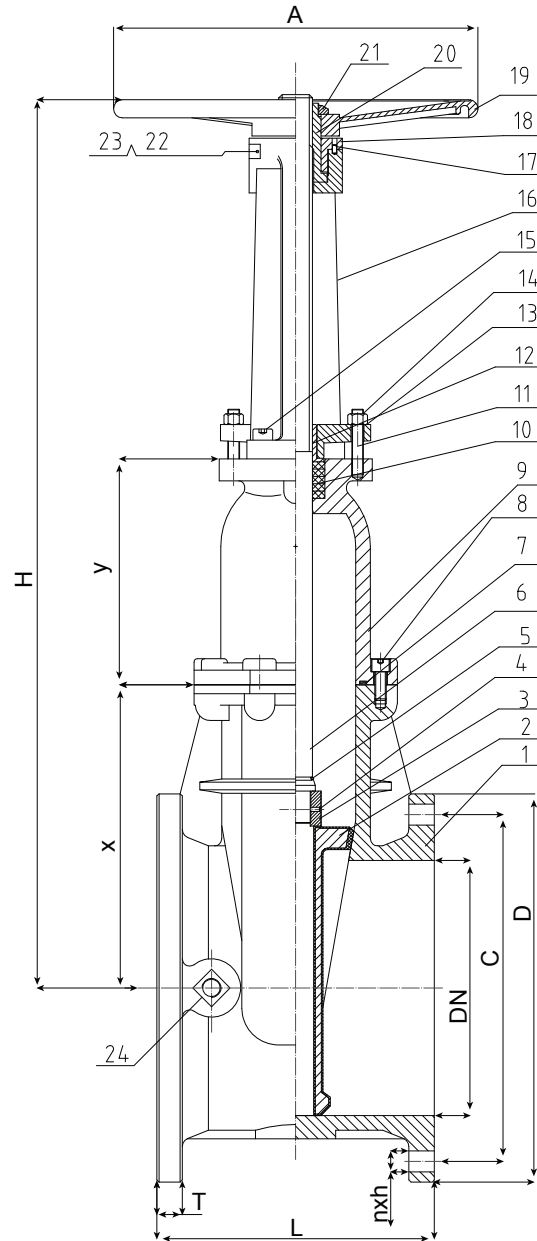
Unit : mm

OS & Y RESILIENT WEDGE GATE VALVE

MODEL: SD-OSY250FF-D1



| SI No. | Part Name | ASTM Spec. | Material |
|--------|----------------------|------------------------|--------------------------|
| 1 | Body | ASTM A536 | Ductile Iron |
| 2 | Wedge | ASTM A536 + ASTM D2000 | Ductile Iron + EPDM |
| 3 | Stem Trim | ASTM B584 | Bronze |
| 4 | Retainer | ASTM A276, SS304 | Stainless Steel |
| 5 | O-Ring | ASTM D2000 | EPDM |
| 6 | Stem | ASTM A276, SS304 | Stainless Steel |
| 7 | Stem Gasket | ASTM D2000 | EPDM |
| 8 | Inside Hexgonal Bolt | ASTM A574M | Alloy Steel, Zinc Plated |
| 9 | Bonnet | ASTM A536 | Ductile Iron |
| 10 | Stuffing | ASTM D2000 | EPDM |
| 11 | Threaded Rod | ASTM A307 | Carbon Steel |
| 12 | Stuffing Bushing | ASTM B584 | Bronze |
| 13 | Stuffing Gland | ASTM A536 | Ductile Iron |
| 14 | Nut | ASTM B16-H02 | Brass |
| 15 | Inside Hexgonal Bolt | ASTM A574M | Alloy Steel, Zinc Plated |
| 16 | Yoke | ASTM A536 | Ductile Iron |
| 17 | Flat Point Set Screw | ASTM F912M | Alloy Steel |
| 18 | Gland | ASTM A126-B | Cast Iron |
| 19 | Handwheel | ASTM A536 | Ductile Iron |
| 20 | Stem Nut | ASTM B584 | Bronze |
| 21 | Handwheel Nut | ASTM A194-2H | Carbon Steel |
| 22 | Label | --- | Aluminium |
| 23 | Screw | ASTM A276, SS304 | Stainless Steel |
| 24 | Plug, Pipe | --- | Steel, ASME B16.14 |



| Size | L | H | A | C | D | T | nxh | x | y |
|------|-----------|------|-----|-------|-----|----|-------|-----|-----|
| 14" | 381 ± 1.5 | 1219 | 500 | 476 | 533 | 35 | 12x29 | 416 | 310 |
| 16" | 406 ± 1.5 | 1288 | 500 | 539.5 | 597 | 37 | 16x29 | 406 | 381 |

Unit : mm

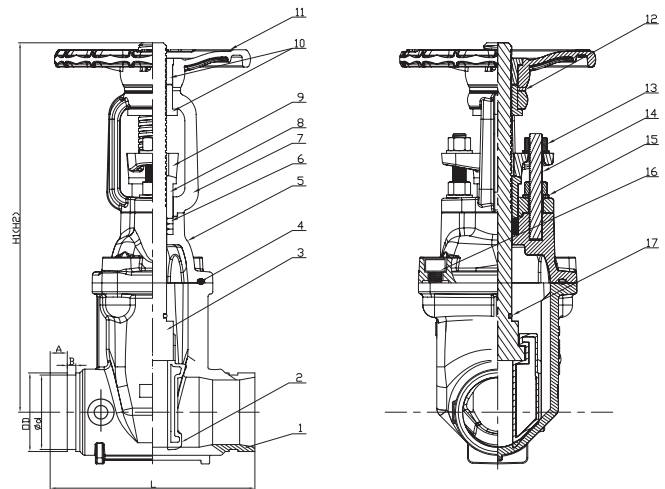
OS & Y GROOVED RESILIENT GATE VALVE

MODEL: SD-OSY200GG-D

- Working pressure: 200 psi
- Connection ends: Grooved to AWWA C606
- Temperature range: 0°C to 80°C
- Coating: Fusion bonded epoxy coating internally and externally in accordance with ANSI/AWWA C550



| PART NO. | PART NAME | ASTM SPEC. |
|----------|----------------------|--------------------------|
| 1 | Valve Body | ASTM A536, 65-45-12 |
| 2 | Resilient Wedge Disc | ASTM A536, 65-45-12+EPDM |
| 3 | Stem | AISI420 |
| 4 | Bonnet Gasket | EPDM |
| 5 | Bonnet | ASTM A536, 65-45-12 |
| 6 | Washer | Brass Hpb59-1 |
| 7 | Yoke | ASTM A536, 65-45-12 |
| 8 | Stem Bushing | Brass Hpb59-1 |
| 9 | Gland | ASTM A536, 65-45-12 |
| 10 | Stem Nut | Brass Hpb59-1 |
| 11 | Hand Wheel | ASTM A536, 65-45-12 |
| 12 | Washer | Brass Hpb59-1 |
| 13 | Gland Nut | Carbon Steel Zinc Plated |
| 14 | Stud | Carbon Steel Zinc Plated |
| 15 | Flat Washer | Carbon Steel Zinc Plated |
| 16 | Nut | Carbon Steel Zinc Plated |
| 17 | O Ring | EPDM |



* Optional for Stem AISI316

| Size | L | H1 | H2 | OD | d | A | B | Net. Wt. Kg. |
|------|-----|------|------|-------|--------|-------|-------|--------------|
| 2" | 178 | 318 | 370 | 60.3 | 57.15 | 15.88 | 7.92 | 11.08 |
| 2.5" | 190 | 343 | 410 | 73 | 69.09 | 15.88 | 7.92 | 12.22 |
| 3" | 203 | 386 | 468 | 88.9 | 84.94 | 15.88 | 7.92 | 16.67 |
| 4" | 229 | 436 | 538 | 114.3 | 110.08 | 15.88 | 9.52 | 23.89 |
| 5" | 254 | 516 | 640 | 141.3 | 137.03 | 15.88 | 9.52 | 33.08 |
| 6" | 267 | 576 | 730 | 168.3 | 163.96 | 15.88 | 9.52 | 40.41 |
| 8" | 292 | 749 | 950 | 219.1 | 214.4 | 19.05 | 11.13 | 73.40 |
| 10" | 330 | 904 | 1158 | 273 | 268.28 | 19.05 | 12.7 | 121.16 |
| 12" | 356 | 1030 | 1335 | 323.9 | 318.29 | 19.05 | 12.7 | 172.02 |

* 5" - Only UL Listing

Unit : mm

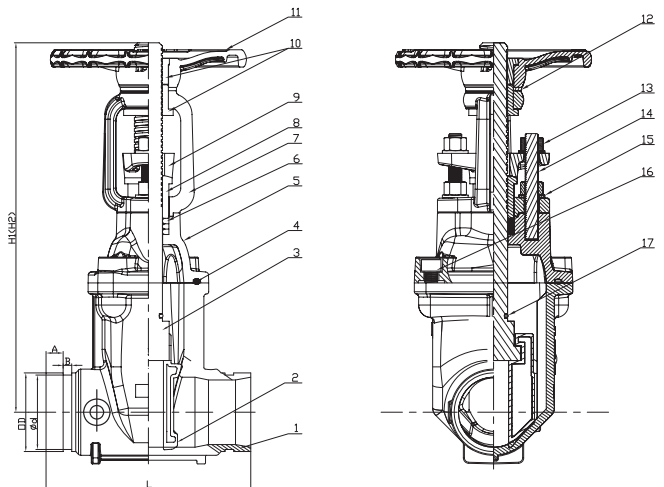
OS & Y GROOVED RESILIENT GATE VALVE

MODEL: SD-OSY250GG-D

- Working pressure: 250 psi
- Connection ends: Grooved to AWWA C606
- Temperature range: 0°C to 80°C
- Coating: Fusion bonded epoxy coating internally and externally in accordance with ANSI/AWWA C550



| PART NO. | PART NAME | ASTM SPEC. |
|----------|----------------------|--------------------------|
| 1 | Valve Body | ASTM A536, 65-45-12 |
| 2 | Resilient Wedge Disc | ASTM A536, 65-45-12+EPDM |
| 3 | Stem | AISI420 |
| 4 | Bonnet Gasket | EPDM |
| 5 | Bonnet | ASTM A536, 65-45-12 |
| 6 | Washer | Brass Hpb59-1 |
| 7 | Yoke | ASTM A536, 65-45-12 |
| 8 | Stem Bushing | Brass Hpb59-1 |
| 9 | Gland | ASTM A536, 65-45-12 |
| 10 | Stem Nut | Brass Hpb59-1 |
| 11 | Hand Wheel | ASTM A536, 65-45-12 |
| 12 | Washer | Brass Hpb59-1 |
| 13 | Gland Nut | Carbon Steel Zinc Plated |
| 14 | Stud | Carbon Steel Zinc Plated |
| 15 | Flat Washer | Carbon Steel Zinc Plated |
| 16 | Nut | Carbon Steel Zinc Plated |
| 17 | O Ring | EPDM |



* Optional for Stem AISI316

| Size | L | H1 | H2 | OD | d | A | B | Net. Wt. Kg. |
|------|-----|------|------|-------|--------|-------|-------|--------------|
| 2" | 178 | 318 | 370 | 60.3 | 57.15 | 15.88 | 7.92 | 11.08 |
| 2.5" | 190 | 343 | 410 | 73 | 69.09 | 15.88 | 7.92 | 12.22 |
| 3" | 203 | 386 | 468 | 88.9 | 84.94 | 15.88 | 7.92 | 16.67 |
| 4" | 229 | 436 | 538 | 114.3 | 110.08 | 15.88 | 9.52 | 23.89 |
| 5" | 254 | 516 | 640 | 141.3 | 137.03 | 15.88 | 9.52 | 33.08 |
| 6" | 267 | 576 | 730 | 168.3 | 163.96 | 15.88 | 9.52 | 40.41 |
| 8" | 292 | 749 | 950 | 219.1 | 214.4 | 19.05 | 11.13 | 73.40 |
| 10" | 330 | 904 | 1158 | 273 | 268.28 | 19.05 | 12.7 | 121.16 |
| 12" | 356 | 1030 | 1335 | 323.9 | 318.29 | 19.05 | 12.7 | 172.02 |

* 5" - Only UL Listing

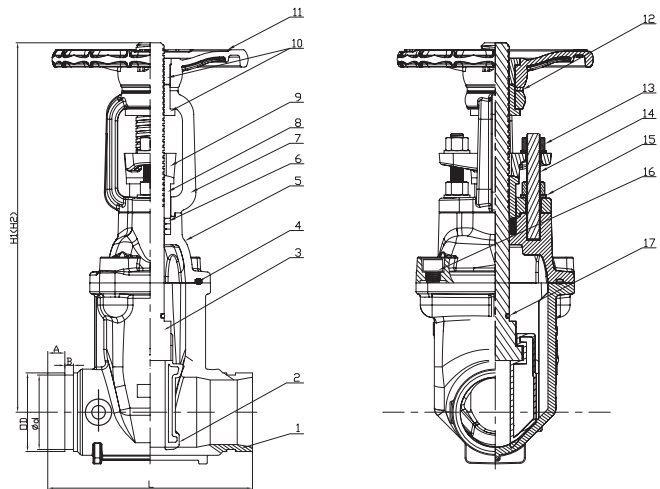
Unit : mm

OS & Y GROOVED RESILIENT GATE VALVE

MODEL: SD-OSY300GG-D

- Working pressure: 300 psi
- Connection ends: Grooved to AWWA C606
- Temperature range: 0°C to 80°C
- Coating: Fusion bonded epoxy coating internally and externally in accordance with ANSI/AWWA C550

| PART NO. | PART NAME | ASTM SPEC. |
|----------|----------------------|--------------------------|
| 1 | Valve Body | ASTM A536, 65-45-12 |
| 2 | Resilient Wedge Disc | ASTM A536, 65-45-12+EPDM |
| 3 | Stem | AISI420 |
| 4 | Bonnet Gasket | EPDM |
| 5 | Bonnet | ASTM A536, 65-45-12 |
| 6 | Washer | Brass Hpb59-1 |
| 7 | Yoke | ASTM A536, 65-45-12 |
| 8 | Stem Bushing | Brass Hpb59-1 |
| 9 | Gland | ASTM A536, 65-45-12 |
| 10 | Stem Nut | Brass Hpb59-1 |
| 11 | Hand Wheel | ASTM A536, 65-45-12 |
| 12 | Washer | Brass Hpb59-1 |
| 13 | Gland Nut | Carbon Steel Zinc Plated |
| 14 | Stud | Carbon Steel Zinc Plated |
| 15 | Flat Washer | Carbon Steel Zinc Plated |
| 16 | Nut | Carbon Steel Zinc Plated |
| 17 | O Ring | EPDM |



* Optional for Stem AISI316

| Size | L | H1 | H2 | OD | d | A | B | Net. Wt. Kg. |
|------|-----|------|------|-------|--------|-------|-------|--------------|
| 2" | 178 | 318 | 370 | 60.3 | 57.15 | 15.88 | 7.92 | 11.08 |
| 2.5" | 190 | 343 | 410 | 73 | 69.09 | 15.88 | 7.92 | 12.22 |
| 3" | 203 | 386 | 468 | 88.9 | 84.94 | 15.88 | 7.92 | 16.67 |
| 4" | 229 | 436 | 538 | 114.3 | 110.08 | 15.88 | 9.52 | 23.89 |
| 5" | 254 | 516 | 640 | 141.3 | 137.03 | 15.88 | 9.52 | 33.08 |
| 6" | 267 | 576 | 730 | 168.3 | 163.96 | 15.88 | 9.52 | 40.41 |
| 8" | 292 | 749 | 950 | 219.1 | 214.4 | 19.05 | 11.13 | 73.40 |
| 10" | 330 | 904 | 1158 | 273 | 268.28 | 19.05 | 12.7 | 121.16 |
| 12" | 356 | 1030 | 1335 | 323.9 | 318.29 | 19.05 | 12.7 | 172.02 |

* 5" - Only UL Listing

Unit : mm