

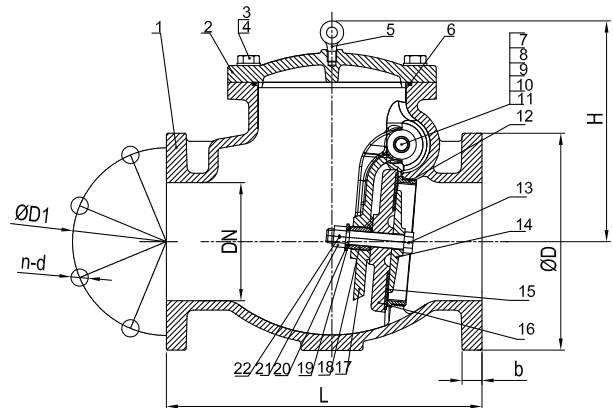
SWING CHECK VALVE

MODEL: SD-NRV200FF-D

- Working pressure: 200 psi
- Connection ends: Flange to ASME B16.1 Class 125
- Temperature range: 0°C to 80°C
- Coating: Fusion bonded epoxy coating internally and externally in accordance with ANSI/AWWA C550



PART NO.	PART NAME	ASTM SPEC.
1	Valve Body	Ductile Iron 65-45-12
2	Bonnet	Ductile Iron 65-45-12
3	Bolts	Stainless Steel 316
4	Washer	Stainless Steel 316
5	Sling Ring	Carbon Steel Zinc Plated
6	O Ring	NBR
7	Hinge Bushing	Stainless Steel 316
8	O Ring	NBR
9	Hinge Pin	Stainless Steel 316
10	Washer	Brass ASTM B36
11	Hinge Bushing	Brass ASTM B36
12	Seat Ring	Bronze ASTM B62
13	Disc Seat Bolt	Stainless Steel 316
14	Retainer Washer	Bronze ASTM B62
15	Disc Seat Ring	EPDM
16	Disc	Ductile Iron 65-45-12
17	Clapper Arm	Ductile Iron 65-45-12
18	Stud Bushing	Brass ASTM B36
19	O Ring	NBR
20	Washer	Stainless Steel 316
21	Nuts	Stainless Steel 316
22	Cotter Pin	Stainless Steel 304



Size	L	D	D1	b	n x d	H	Net. Wt. Kg.
2"	203	152	120.5	16	4 x19.1	133	11.21
2.5"	254	178	139.5	17.5	4 x19.1	150	16.67
3"	278	191	152.5	19	4 x19.1	243	22.52
4"	330	229	190.5	24	8 x19.1	284	34.93
6"	406	279	241.5	25.5	8 x 22.2	290	65.16
8"	495	343	298.5	28.5	8 x 22.2	330	120.65
10"	622	406	362	30.5	12 x 25.4	350	180.86
12"	660	483	432	32	12 x 25.4	376	241.27

Unit : mm

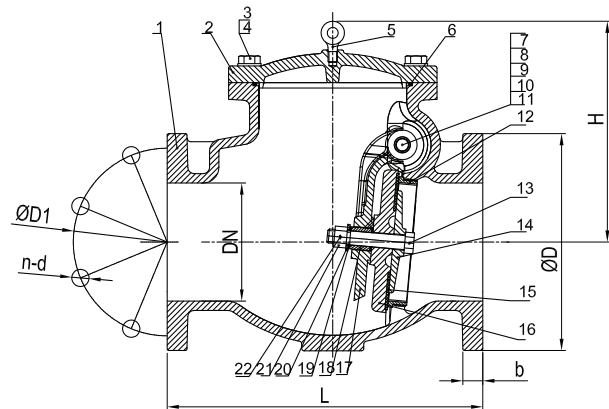
SWING CHECK VALVE

MODEL: SD-NRV300FF-D

- Working pressure: 300 psi
- Connection ends: Flange to ASME B16.1 Class 125
- Temperature range: 0°C to 80°C
- Coating: Fusion bonded epoxy coating internally and externally in accordance with ANSI/AWWA C550



PART NO.	PART NAME	ASTM SPEC.
1	Valve Body	Ductile Iron 65-45-12
2	Bonnet	Ductile Iron 65-45-12
3	Bolts	Stainless Steel 316
4	Washer	Stainless Steel 316
5	Sling Ring	Carbon Steel Zinc Plated
6	O Ring	NBR
7	Hinge Bushing	Stainless Steel 316
8	O Ring	NBR
9	Hinge Pin	Stainless Steel 316
10	Washer	Brass ASTM B36
11	Hinge Bushing	Brass ASTM B36
12	Seat Ring	Bronze ASTM B62
13	Disc Seat Bolt	Stainless Steel 316
14	Retainer Washer	Bronze ASTM B62
15	Disc Seat Ring	EPDM
16	Disc	Ductile Iron 65-45-12
17	Clapper Arm	Ductile Iron 65-45-12
18	Stud Bushing	Brass ASTM B36
19	O Ring	NBR
20	Washer	Stainless Steel 316
21	Nuts	Stainless Steel 316
22	Cotter Pin	Stainless Steel 304



Size	L	D	D1	b	n x d	H	Net. Wt. Kg.
2"	203	152	120.5	16	4 x 19.1	133	11.21
2.5"	254	178	139.5	17.5	4 x 19.1	150	16.67
3"	278	191	152.5	19	4 x 19.1	243	22.52
4"	330	229	190.5	24	8 x 19.1	284	34.93
6"	406	279	241.5	25.5	8 x 22.2	290	65.16
8"	495	343	298.5	28.5	8 x 22.2	330	120.65
10"	622	406	362	30.5	12 x 25.4	350	180.86
12"	660	483	432	32	12 x 25.4	376	241.27

Unit : mm

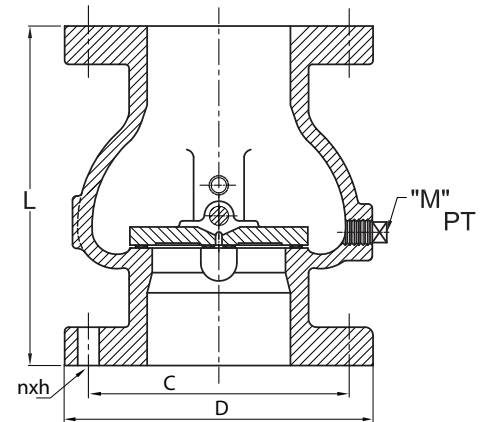
SWING CHECK VALVE

MODEL: SD-NRV250CV

- Working Pressure 250 psi. Cold water pressure (Max. temp. 63°C)
- Flanged Ends to ANSI B16.1 Class 125
- Ductile Iron Body with EPDM
- Epoxy coated interior / exterior to AWWA C550
- Dual Plate Construction



PART NAME	MATERIAL	ASTM SPEC.
Body	Ductile Iron	ASTM A536, 65-45-12
Body Seal	EPDM	
Plate	Stainless Steel	ASTM A351.CF8
Spring	Stainless Steel	AISI 316
Hinge Pin	Stainless Steel	AISI 316
Washer	Teflon	
Thrust Washer	Teflon	
Plug	Mild Steel	A105-80
Square Plug	Mild Steel	A105-80
Packing	Buna"N"	



Size	L	C	D	"M"PT	n x h	Net. Wt. Lbs.
3"	168	152	191	12.7	4 x 19.1	23.2
4"	190	191	229	12.7	8 x 19.1	36.7
6"	229	241	279	19.1	8 x 22.2	62.9
8"	267	298	343	19.1	8 x 22.2	101.6

Unit : mm

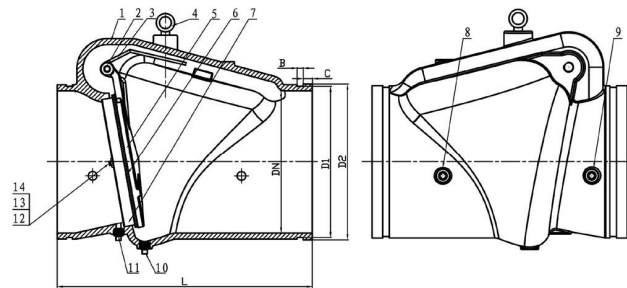
SWING CHECK VALVE

MODEL: SD-NRV200GG-D

- Working pressure: 200 psi
- Connection ends: Groove to AWWA C606
- Temperature range: 0°C to 80°C
- Coating: Fusion Bonded Epoxy Coating in accordance with ANSI/AWWA C550 or painting upon request



PART NO.	PART NAME	ASTM SPEC.
1	Valve Body	ASTM A536, 65-45-12
2	Hinge Pin	AISI 420
3	Spring	AISI 304
4	Eye Bolt	Carbon Steel Zinc Plated
5	Disc	DN50-100 AISI 304 DN150-300 ASTM A536, 65-45-12
6	Disc Sealing Ring	EPDM
7	Seat Ring	ASTM B62 C83600
8	Plug	Malleable Iron Galvanized
9	Plug	Malleable Iron Galvanized
10	Plug	Malleable Iron Galvanized
11	Plug	Malleable Iron Galvanized
12	Bolt	AISI 304
13	Washer	AISI 304
14	Nut	AISI 304



Size	L	D1	D2	b	c
2"	171	57.15	60.3	7.93	15.88
2.5"	184	69.09	73	7.93	15.88
3"	197	84.94	88.9	7.93	15.88
4"	210	110.08	114.3	9.53	15.88
5"	248	137.03	141.3	9.53	15.88
6"	324	163.96	168.3	9.53	15.88
8"	371	214.4	219.1	11.13	19.05
10"	457	268.28	273	12.7	19.05
12"	535	318.29	323.9	12.7	19.05

Unit : mm

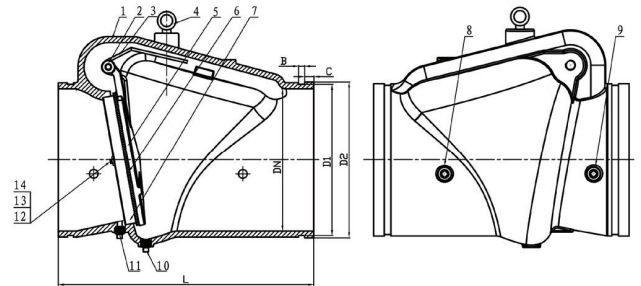
SWING CHECK VALVE

MODEL: SD-NRV250GG-D

- Working pressure: 250 psi
- Connection ends: Groove to AWWA C606
- Temperature range: 0°C to 80°C
- Coating: Fusion Bonded Epoxy Coating in accordance with ANSI/AWWA C550 or painting upon request



PART NO.	PART NAME	ASTM SPEC.
1	Valve Body	ASTM A536, 65-45-12
2	Hinge Pin	AISI 420
3	Spring	AISI 304
4	Eye Bolt	Carbon Steel Zinc Plated
5	Disc	DN50-100 AISI 304 DN150-300 ASTM A536, 65-45-12
6	Disc Sealing Ring	EPDM
7	Seat Ring	ASTM B62 C83600
8	Plug	Malleable Iron Galvanized
9	Plug	Malleable Iron Galvanized
10	Plug	Malleable Iron Galvanized
11	Plug	Malleable Iron Galvanized
12	Bolt	AISI 304
13	Washer	AISI 304
14	Nut	AISI 304



Size	L	D1	D2	b	c
2"	171	57.15	60.3	7.93	15.88
2.5"	184	69.09	73	7.93	15.88
3"	197	84.94	88.9	7.93	15.88
4"	210	110.08	114.3	9.53	15.88
5"	248	137.03	141.3	9.53	15.88
6"	324	163.96	168.3	9.53	15.88
8"	371	214.4	219.1	11.13	19.05
10"	457	268.28	273	12.7	19.05
12"	535	318.29	323.9	12.7	19.05

Unit : mm

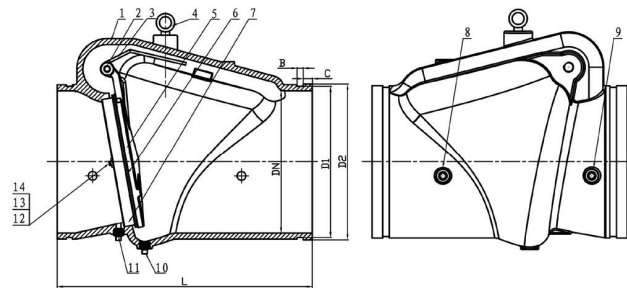
SWING CHECK VALVE

MODEL: SD-NRV300GG-D

- Working pressure: 300 psi
- Connection ends: Groove to AWWA C606
- Temperature range: 0°C to 80°C
- Coating: Fusion Bonded Epoxy Coating in accordance with ANSI/AWWA C550 or painting upon request



PART NO.	PART NAME	ASTM SPEC.
1	Valve Body	ASTM A536, 65-45-12
2	Hinge Pin	AISI 420
3	Spring	AISI 304
4	Eye Bolt	Carbon Steel Zinc Plated
5	Disc	DN50-100 AISI 304 DN150-300 ASTM A536, 65-45-12
6	Disc Sealing Ring	EPDM
7	Seat Ring	ASTM B62 C83600
8	Plug	Malleable Iron Galvanized
9	Plug	Malleable Iron Galvanized
10	Plug	Malleable Iron Galvanized
11	Plug	Malleable Iron Galvanized
12	Bolt	AISI 304
13	Washer	AISI 304
14	Nut	AISI 304



Size	L	D1	D2	b	c
2"	171	57.15	60.3	7.93	15.88
2.5"	184	69.09	73	7.93	15.88
3"	197	84.94	88.9	7.93	15.88
4"	210	110.08	114.3	9.53	15.88
5"	248	137.03	141.3	9.53	15.88
6"	324	163.96	168.3	9.53	15.88
8"	371	214.4	219.1	11.13	19.05
10"	457	268.28	273	12.7	19.05
12"	535	318.29	323.9	12.7	19.05

Unit : mm