

BUTTERFLY VALVES, GROOVED

MODEL: SDBV-G

SPECIFICATIONS

Size	2 ½" through 8"
Working Pressure	175 psi
Max. Test Pressure	350 psi
Working Temperature	250° F (120° C)

Factory Installed UL Approved Tamper Switch for indoor use only.

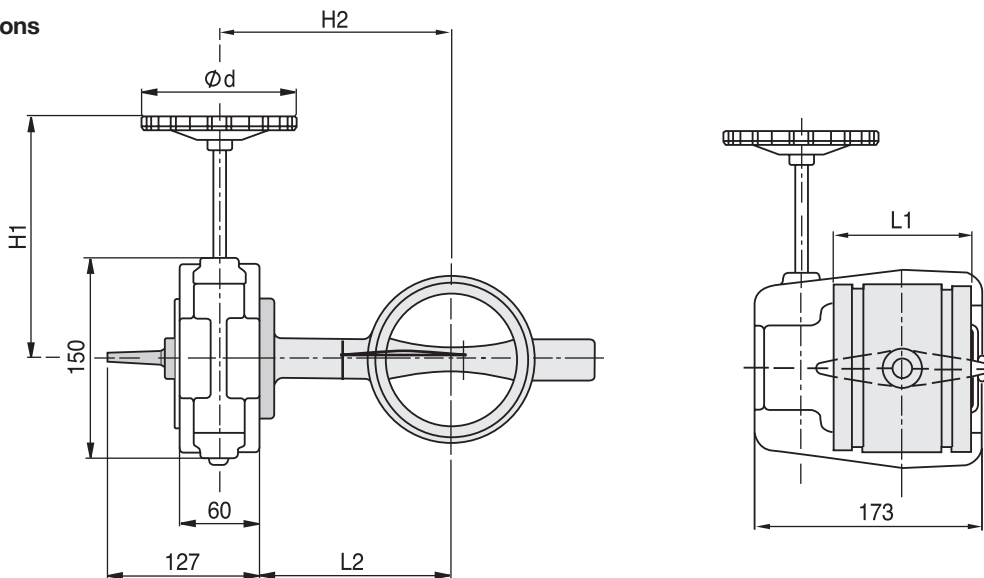
MATERIAL

Body	Ductile Iron, Nylon - 11 Coated
Disc	Al-Bronze, Ductile Iron, EPDM Encapsulated
Stem	Stainless Steel



TECHNICAL DATA

Dimensions



Size	Pipe O.D	L1	L2	H1	H2	d	Weight Kg (lbs)
2 ½"	73	96.4	105	135	135	125	8.2
3"	88.9	96.4	112	135	142	125	9.0
4"	114.3	115.4	145	135	175	125	10.7
6"	168.3	132.4	179	193	209	225	15.2
8"	219.1	147.4	204	193	234	225	20.4

Unit : mm

BUTTERFLY VALVES, GROOVED

MODEL: SDBV-G300

SPECIFICATIONS

Size	2 1/2" through 8"
Working Pressure	300 psi (21.5 Bar)
Max. Test Pressure	600 psi (43 Bar)
Working Temperature	250° F (120° C)

Factory Installed UL Approved Tamper Switch for indoor use only.

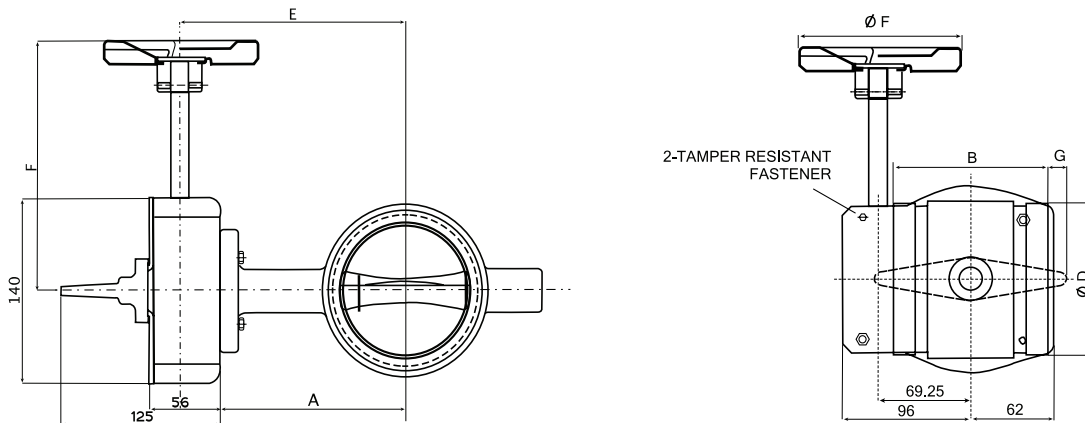
MATERIAL

Body	Ductile Iron, Nylon - 11 Coated
Disc	Al-Bronze, Ductile Iron, EDPM
Stem	Stainless Steel, Hardened & Tempered
Housing	Ductile Iron (ASTM A-536)
Hand Wheel	Ductile Iron (ASTM A-536)



TECHNICAL DATA

Dimensions



Size	A	B	C	D	E	F	G
2 1/2"	105	96.4	168	73.1	137	125	---
3"	112	96.4	168	88.9	144	125	---
4"	145	115.4	168	114.3	177	125	---
6"	179	132.4	208	168.3	211	225	6.8
8"	204	147.4	208	219.1	236	225	24.2

Unit : mm

BUTTERFLY VALVES, WAFER

MODEL: SDBV-W

SPECIFICATIONS

Size	2 ½" through 8"
Working Pressure	175 psi
Max. Test Pressure	350 psi
Working Temperature	250° F (120° C)

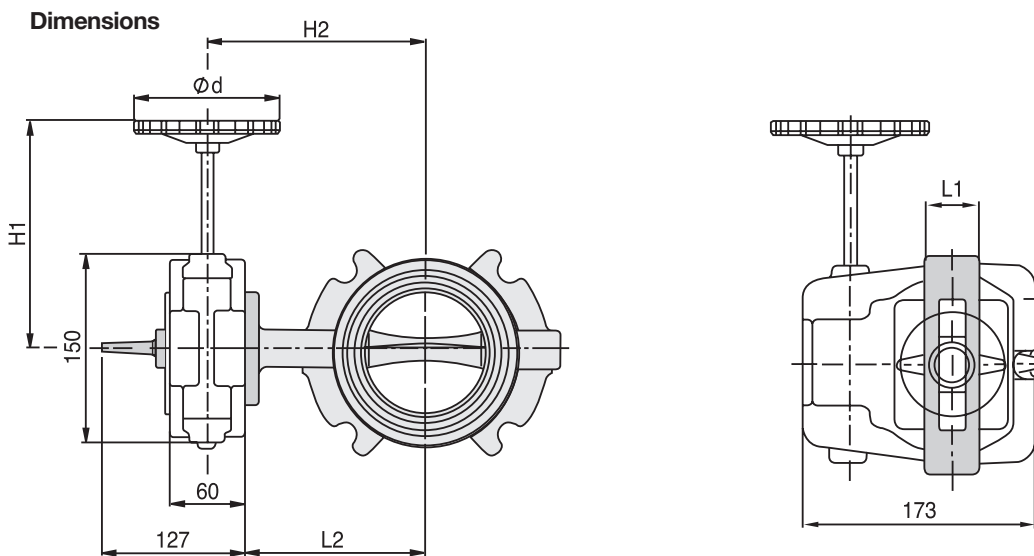
Factory Installed UL Approved Tamper Switch for indoor use only.

MATERIAL

Body	Ductile Iron, Nylon - 11 Coated
Disc	Al-Bronze, Ductile Iron, EPDM Encapsulated
Stem	Stainless Steel



TECHNICAL DATA



Size	Pipe C.D	L1	L2	H1	H2	d	Weight Kg (lbs)
2 ½"	139.5	49.0	120	135	150	125	8.8
3"	152.5	49.0	127	135	157	125	9.3
4"	180.5	55.0	145	135	175	125	9.8
6"	241.0	59.0	180	193	210	225	13.1
8"	298.5	63.0	204	193	234	225	17.0

Unit : mm

BUTTERFLY VALVES, WAFER

MODEL: SDBV-W300

SPECIFICATIONS

Size	2 ½" through 8"
Working Pressure	300 psi (21.5 Bar)
Max. Test Pressure	600 psi (43 Bar)
Working Temperature	250° F (120° C)

Factory Installed UL Approved Tamper Switch for indoor use only.

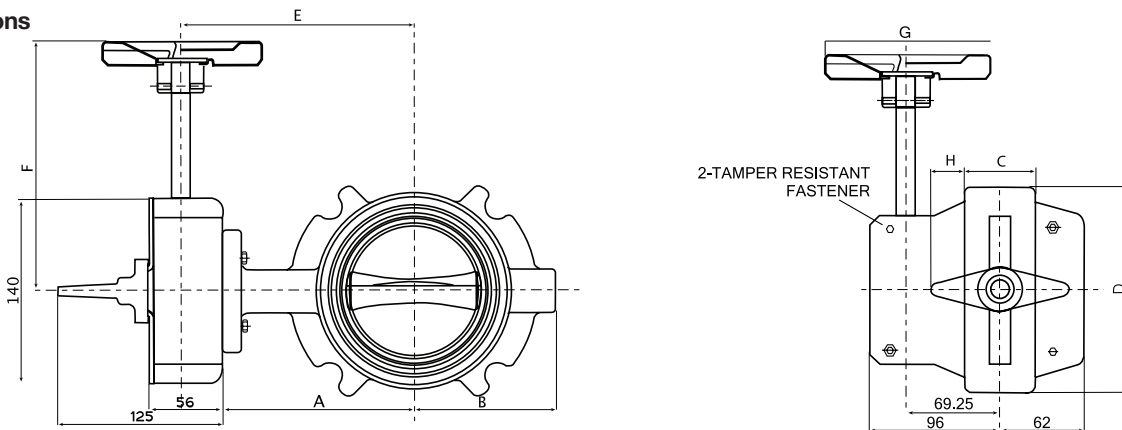
MATERIAL

Body	Ductile Iron, Nylon - 11 Coated
Disc	Al-Bronze, Ductile Iron, EDPM
Stem	Stainless Steel, Hardened & Tempered
Housing	Ductile Iron (ASTM A-536)
Hand Wheel	Ductile Iron (ASTM A-536)



TECHNICAL DATA

Dimensions



Size	A	B	C	D	E	F	G	H
2 ½"	120	85	49	116	150	168	125	9.5
3"	127	92	49	132	157	168	125	16
4"	145	108	55	152	175	168	125	25
6"	180	145	59	207	210	208	225	45.3
8"	204	170	63	262	234	208	225	68.5

Unit : mm