

FIRE HOSE RACK ASSEMBLY

NAFFCO Fire hose racks are designed for use in controlling incipient fire by building occupant use and conform to NFPA 14 standards for CLASS II service. The Fire Hose Racks are manufactured to comply UL & FM standard.

FEATURES

- Hose rack frame material made of Stainless Steel Gr.304.
- Provides an immediate water source for fire suppression.
- Easy individual operation.
- Hose rack is designed to hold the hose with movable pins for easy & quick operation at the time of Emergency.
- An automatic release mechanism allows water to flow through the hose after removal of the hose and nozzle.
- Standard assemblies include:
 - * Angle Valve or pressure reducing type valve (UL/FM approved).
 - * Hose Rack frame material made of stainless steel.
 - Brush Finish
 - Mirror Finish
 - RED (RAL 3000) Painted
 - * Hose rack frame.
 - * Hose rack nipple.



- * Hose coupling.
- * Fire Hose - 30 Mtr. (UL Listed).
- * Fog nozzle. (UL and/or FM approved).
- Hose rack frames are RED (RAL 3000) Polyester powder coated, oven baked.

SPECIFICATIONS		
Model Number	NHR 38V*	NHR 64V
FIRE HOSE		
Fire Hose Type	Single jacket, Light weight Thermoplastic lining with high tenacity filament polyester yarn, UL listed	Single jacket, Light weight Thermoplastic lining with high tenacity filament polyester yarn, UL listed
Size & Color	1½"x30Mtr., White	2½"x30Mtr., White
Service Pressure	250 PSI	250 PSI
Proof Pressure	500 PSI	500 PSI
Burst Pressure	750 PSI	750 PSI
COUPLINGS		
Type	1-1½" NH Female Threaded Coupling, Brass	2-½" NH Female Threaded Coupling, Brass
ANGLE VALVE		
Working Pressure	300 PSI	300 PSI
Test Pressure	600 PSI	600 PSI
NOZZLE		
Inlet Size	1.5" Female NST Threaded	2.5" Female NST Threaded
Discharge rate (in full spray pattern)	130±5GPM@100PSI	205±5GPM@100PSI

Pressure reducing valve available upon request with FM approved rack assembly.

*UL/FM approved

DELIVERY HOSE COUPLING

PRODUCT DESCRIPTION

NAFFCO couplings are suitable for use with delivery hose and for fire fighting purposes. The delivery hose couplings are of instantaneous pattern, pull release type with

ribbed tail and are manufactured to comply to BS 336:2010 standards. The couplings are suitable for use at working pressure not exceeding 15 bar.



NFAC -65 RT
(Aluminium Coupling)



NFCC -65 RT
(Copper Alloy Coupling)

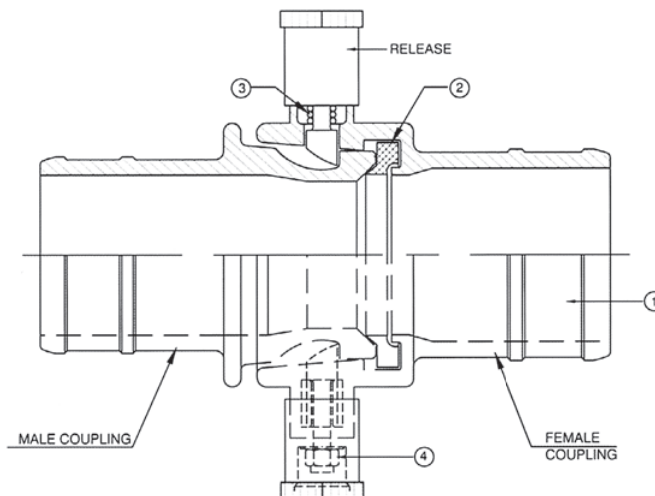


FEATURES

- BSI Kitemark and LPCB certified.
- Castings are clean, sound and free from gross porosity.
- Machined surface is within tolerance and is in accordance with BS 1134-2.
- Coupling washers are made of natural rubber to BS1154.
- Plungers are of self-locking type.

SPECIFICATIONS

SPECIFICATIONS	
Coupling Type	Instantaneous Male / Female coupling with pull release
Tailed Ends	Ribbed tail type
Test Pressure	22.5 Bar for 1 minute



Sl. No.	Description	Material
1	Body Male/Female Coupling	a. Aluminium to BS EN 1706:1998 b. Copper Alloy to BS EN 12163:2011
2	Washer	Rubber
3	Spring	Spring Steel
4	Self Locking Nut	Aluminium

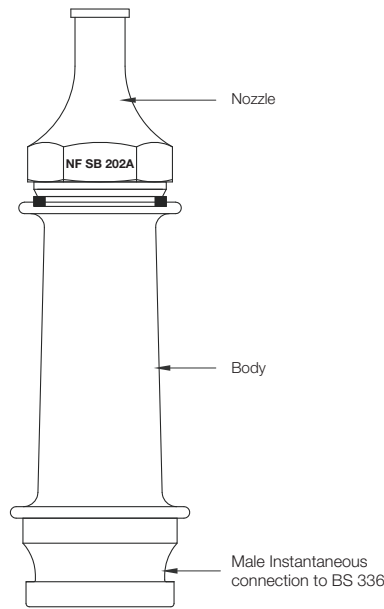
STANDARD BRANCH PIPE

PRODUCT DESCRIPTION

NAFFCO standard branch pipe is made by metal, suitable to use with fire hose assembly for fire fighting purpose. The branch pipe has male instantaneous coupling inlet manufactured to comply with BS 336:2010 standards.

FEATURES

- BSI Kitemark.
- Metal body material made of aluminium alloy.



SPECIFICATIONS	
Model Number	NF SB 202A
Type	Standard branch pipe
Body and Nozzle Material	Aluminium to BS EN 1706 : 2010
Inlet Connection	Male Instantaneous Coupling to BS 336:2010
Nozzle Hole Diameter	12.5mm
Working Pressure	16 Bar
Test Pressure	24 Bar

ANGLE HOSE VALVE

The Angle hose valve is manufactured as per NFPA 13 and most suitable for fire protection service outlet or with a hose rack assembly.

SPECIFICATIONS	
Model No	NF-AV38 1.5" Ø, Female NPT Inlet & Outlet
Model No	NF-AV65 2.5" Ø, Female NPT Inlet & Outlet
Angle Hose Valve Drain	1.5" & 2.5"
Pressure Rating	300 PSI
Material	Cast Brass
Hand Wheel	Cast Iron
Finish Standard	Rough Brass / Polished Brass
Optional	Bright Chrome Plated

